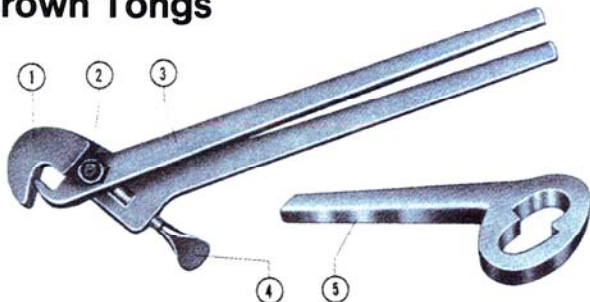


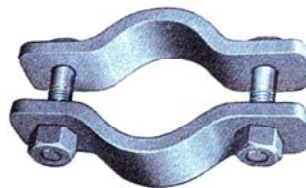
### Brown Tong



A brown tong is used for holding or lowering short strings of rod or casing. By turning a wing bolt it can be adjusted to accommodate all sizes from RW drill rod to AW casing.

Description		Part Number	Weight	
			lbs	kg
1-5	Complete Assembly	1093000	17.4	7.9
1	Jaw Lever	1093002	8.3	3.8
2	Bolt	1093003	0.5	0.2
3	Lever	1093001	5.6	2.5
4	Screw	1093005	0.8	0.4
5	Lock Wrench	1093004	2.2	1.0

### Casing or Pipe Clamps (Short Type)



Casing Size	Pipe Size		Part Number	Weight	
	in	mm		lbs	kg
EW	1 1/2	38	1029200	9.0	4.1
AW	2	51	1029001	14.0	6.4
BW	2 1/2	64	1029100	17.0	7.7
NW	3	76	1029400	23.0	10.4
HW	4	102	1029300	37.0	16.8



(LONG TYPE ON REQUEST)

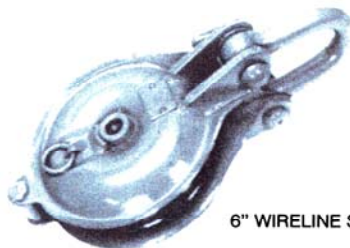
### Com-A-Longs



A Com-a-long is a rugged dependable tool used in place of pipe wrenches for pulling, pushing or holding drill rods.

Rod Size	Part Number	Approx. Wt.	
		lbs	kg
RW	1954001	4.2	1.9
EW	1954002	6.0	2.7
AW/AO	1954003	8.0	3.6
BW/BO	1954004	10.0	4.5

Rod Size	Part Number	Weight	
		lbs	kg
RW	1069500	4.2	1.9
EW	1069201	6.0	2.7
AW	1069001	8.0	3.6
BW	1069101	10.0	4.5



6" WIRELINE SHEAVE

### Wireline Cable Sheave

Name of Part	Part Number	Approx. Wt.	
		lbs	kg
6" Wireline Sheave	1956651	11.2	5.0

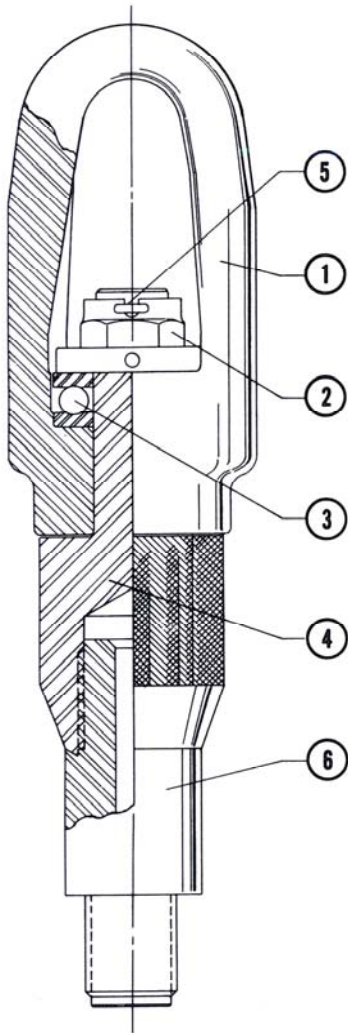


## PARTS HEADQUARTERS INC.

1175 APPLEBY LINE, UNIT C2, BURLINGTON, ONTARIO L7L 5H9  
 TEL: (905) 332-3271 / 1-800-267-2082 / FAX: (905) 332-9497  
 www.partshq.com

## “BNH” Hoisting Plugs

The “BNH” Hoisting Plug is designed for use with the larger sizes of drill rods. This hoisting plug is used in conjunction with replaceable rod adaptors from AW to HW size drill rods. The box thread in the body is NW rod size. It is designed for a hoisting capacity of 27000 lbs. (12247 kg) and is suitable for heavy duty applications.



Ref. No.	Description	Part Number	Weight	
			lb	kgs
1-5	Assembly	1060411	32.9	14.9
1	Eye	1060405	17.0	7.7
2	Nut	1060407	1.4	0.6
3	Bearing	5000012	1.4	0.6
4*	Body	1060406	13.0	6.0
5	Cotter Pin	5221075	†	
6**	Rod Adaptor	One to suit		
	AW	1017403	4.7	2.1
	AT	1910543	4.9	2.2
	AO	1017429	4.4	2.0
	BW	1017401	6.0	2.7
	BT	1910533	4.8	2.1
	BO	1017125	4.3	2.0
	NW	1016400	5.3	2.4
	NT	1910534	6.1	2.7
	NO	1017430	6.2	2.8
	HW	1017300	11.4	5.2
	HT	1910627	10.9	4.9

\* NW rod box thread in body.

\*\* Rod adaptors must be ordered separately.

† Weighs less than 0.5 lb (0.2 kg)