

H300 ROCK DRILL  
*PERFORATEUR H300*  
7806 2025

# SPARE PARTS

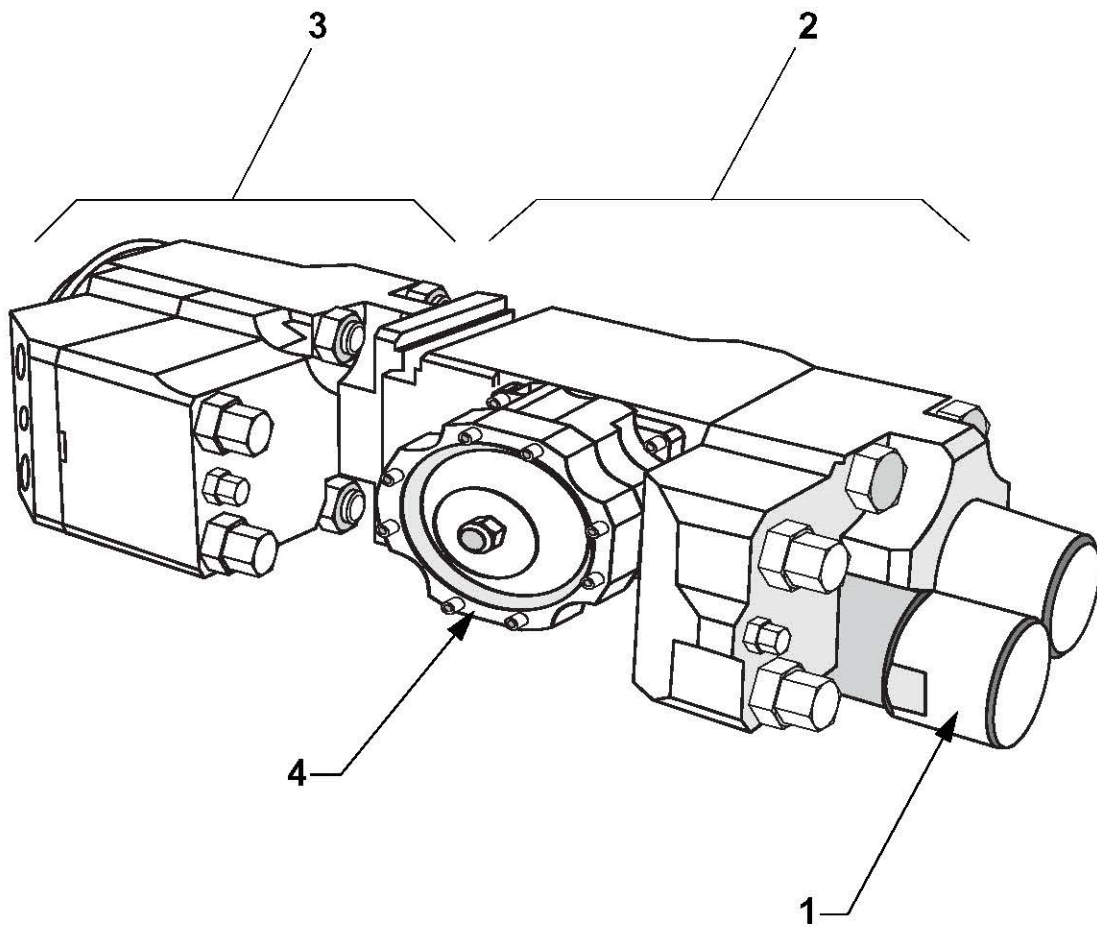


**PHQGlobal**  
TAKING MINES TO THE NEXT LEVEL!



C2 1175 Appleby Line, Burlington Ontario Canada L7L 5H9  
Phone: (905) 332-3271 Fax: (905) 332-9497 Toll: (800) 267-2082  
Website: [www.phqglobal.com](http://www.phqglobal.com)

**H300 ROCK DRILL  
PERFORATEUR H300**



**7806 2025****H300 ROCK DRILL  
PERFORATEUR H300****@.9**

<b>REP. ITEM</b>	<b>REFERENCE PART NB.</b>	<b>QTE. QTY.</b>	<b>DESIGNATION</b>	<b>DESCRIPTION</b>
1	<b>78217147</b>	1	SPRING ACCUMULATOR	ACCUMULATEUR À RESSORT
2	<b>78217166</b>	1	H300 PERCUSSION ASSY	FRAPPE H300
3	<b>78217265</b>	1	H300 ROTATION ASSY	ROTATION H300
4	<b>78217269</b>	1	HIGH PRESSURE ACCUMULATOR	ACCUMULATEUR HAUTE PRESSION

**Bold Part Nb: Separate parts list / Référence en gras: Nomenclature séparée**



**PHQGlobal**  
TAKING MINES TO THE NEXT LEVEL!



C2 1175 Appleby Line, Burlington Ontario Canada L7L 5H9  
Phone: (905) 332-3271 Fax: (905) 332-9497 Toll: (800) 267-2082  
Website: [www.phqglobal.com](http://www.phqglobal.com)

# TABLE OF CONTENTS

## TABLE DES MATIERES

<b>1</b>	<b>7821 7147</b>	<b>SPRING ACCUMULATOR ACCUMULATEUR À RESSORT</b>	<b>@.6</b>	<b>7</b>
<b>2</b>	<b>7821 7166</b>	<b>H300 PERCUSSION FRAPPE H300</b>	<b>@.5</b>	<b>9</b>
	2/1 7929 0025	PECUSSION BODY CORPS FRAPPE	@.5	11
<b>3</b>	<b>7821 7265</b>	<b>H300 ROTATION ROTATION H300</b>	<b>22103</b>	<b>13</b>
	3/1 7840 1170	MAIN GEAR PIGNON PRINCIPAL	@.6	15
	3/2 7841 0574	MOTOR ASS'Y 125CC MOTEUR EQUIPE 125CM3	22347	17
<b>4</b>	<b>7821 7269</b>	<b>HIGH PRESSURE ACCUMULATOR ACCUMULATEUR HAUTE PRESSION</b>	<b>@.8</b>	<b>19</b>



# TABLE OF CONTENTS

## *TABLE DES MATIERES*



**PHQGlobal**  
*TAKING MINES TO THE NEXT LEVEL!*

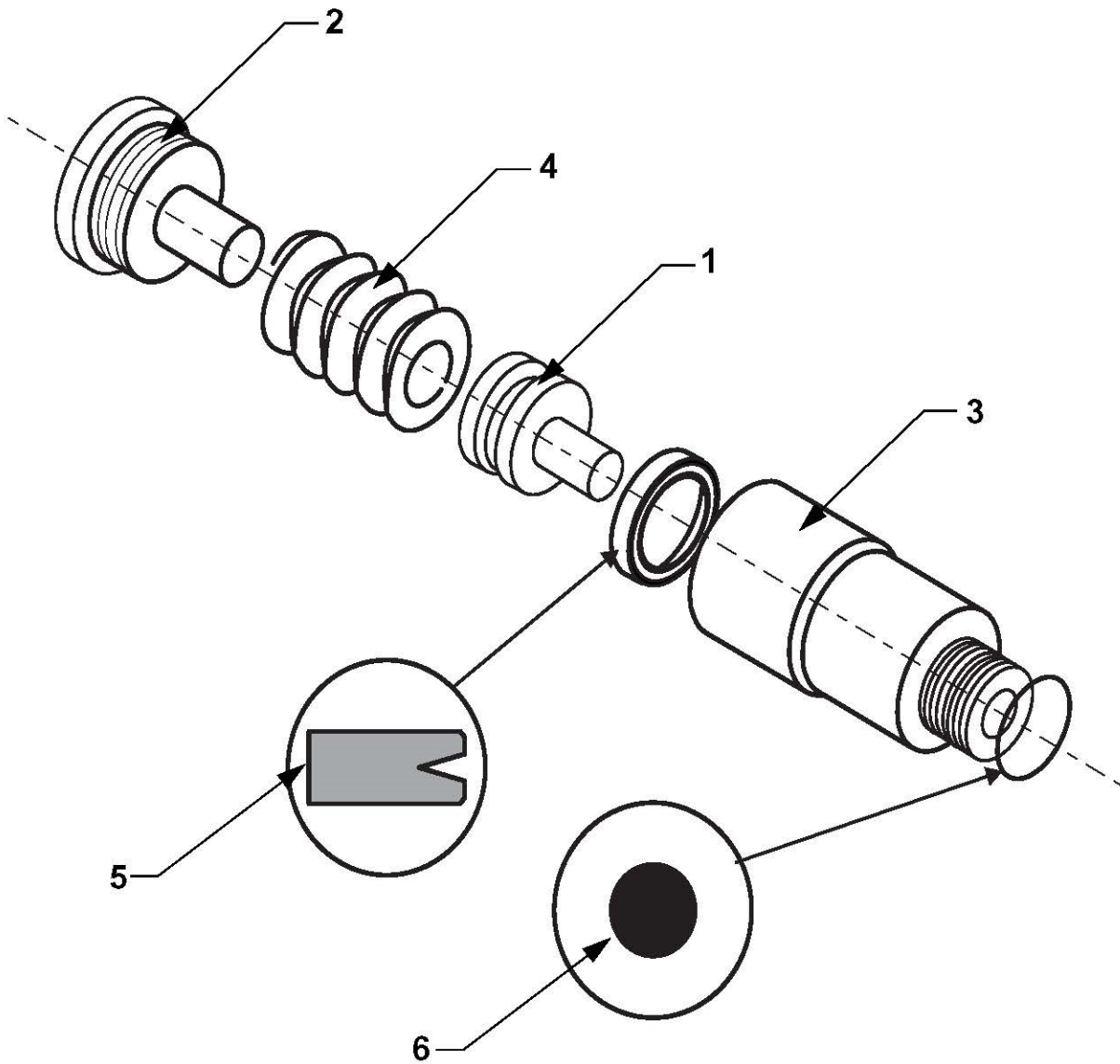


C2 1175 Appleby Line, Burlington Ontario Canada L7L 5H9  
Phone: (905) 332-3271 Fax: (905) 332-9497 Toll: (800) 267-2082  
Website: [www.phqglobal.com](http://www.phqglobal.com)

7821 7147

**SPRING ACCUMULATOR  
ACCUMULATEUR À RESSORT**

@.6



1            7821 7147            **SPRING ACCUMULATOR**            @.6  
**ACCUMULATEUR À RESSORT**

REP. ITEM	REFERENCE PART NB.	QTE. QTY.	DESIGNATION	DESCRIPTION
1	70130088	1	PISTON	PISTON
2	70281139	1	SPRING ACCUMULATOR COVER	COUVERCLE ACCUMULATEUR A RESSORT
3	70290475	1	SPRING ACCUMULATOR BODY	CORPS ACCUMULATEUR A RESSORT
4	70880255	1	SPRING D:10 LG:71	RESSORT D:10 LG:71
5	73413250	1	SEAL NA300 50x40x10	JOINT NA300 50x40x10
6	73414758	1	"O" RING NITRIL 3x37,47	JOINT TORIQUE NITRIL 3x37,47



**PHQGlobal**  
 TAKING MINES TO THE NEXT LEVEL!

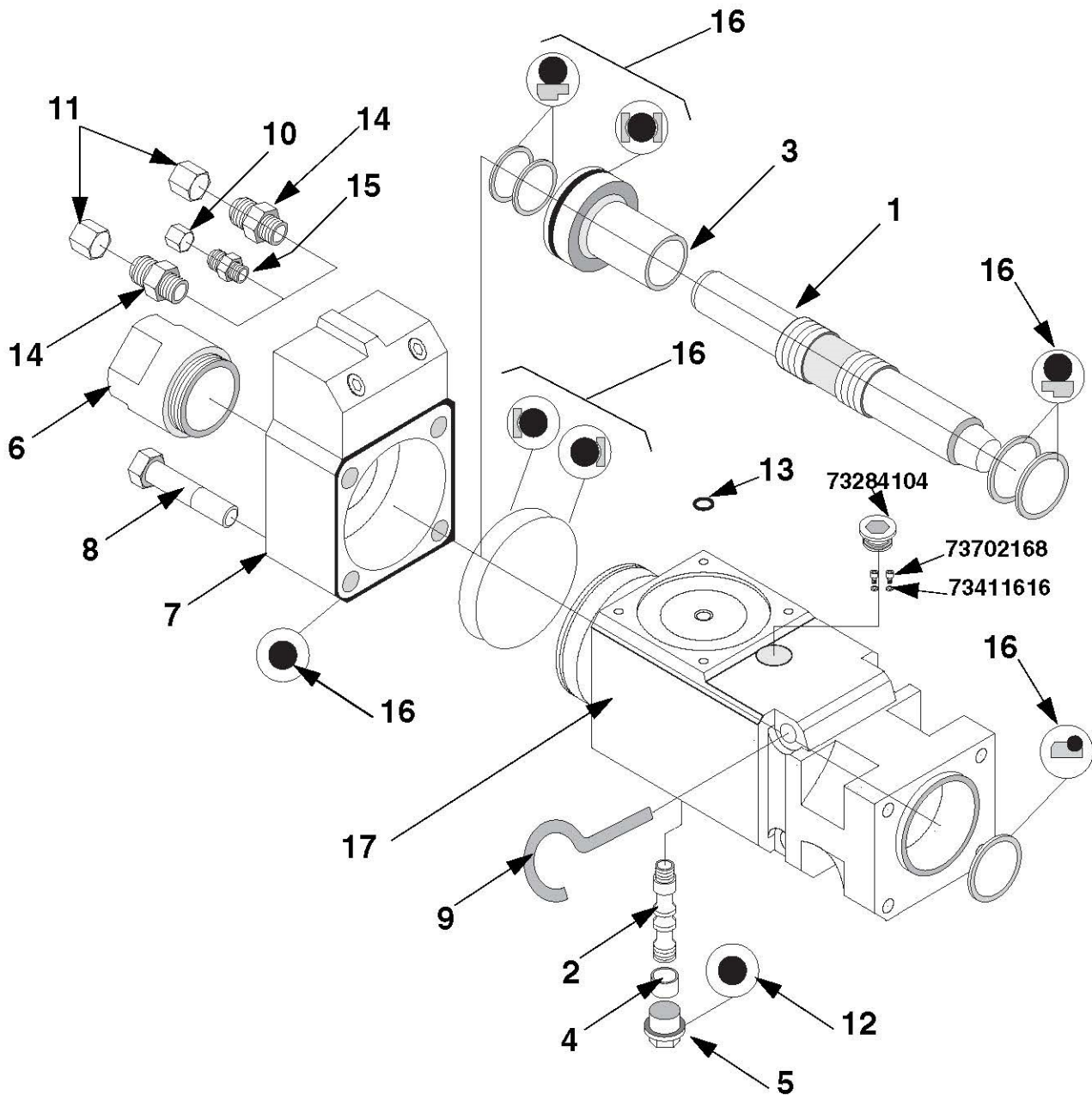


C2 1175 Appleby Line, Burlington Ontario Canada L7L 5H9  
 Phone: (905) 332-3271 Fax: (905) 332-9497 Toll: (800) 267-2082  
 Website: [www.phqglobal.com](http://www.phqglobal.com)

7821 7166

# H300 PERCUSSION FRAPPE H300

@.5



**PHQ Global**  
TAKING MINES TO THE NEXT LEVEL!



C2 1175 Appleby Line, Burlington Ontario Canada L7L 5H9  
Phone: (905) 332-3271 Fax: (905) 332-9497 Toll: (800) 267-2082  
Website: [www.phqglobal.com](http://www.phqglobal.com)



**2****7821 7166****H300 PERCUSSION  
FRAPPE H300****@.5**

<b>REP. ITEM</b>	<b>REFERENCE PART NB.</b>	<b>QTE. QTY.</b>	<b>DESIGNATION</b>	<b>DESCRIPTION</b>
1	70130093	1	PISTON	PISTON
2	70160037	1	VALVE	VALVE
3	70212435	1	H300 PERCUSSION REAR BUSHING	BAGUE ARRIERE FRAPPE H300
4	70212638	1	BUSHING	BAGUE
5	70281122	1	PLUG MALE 1"5/16	BOUCHON MALE 1"5/16
6	70281140	1	H300 REAR FLANGE COVER	COUVERCLE BRIDE ARRIERE H300
7	70361720	1	H300 REAR FLANGE	BRIDE ARRIERE H300
8	70700430	4	SCREW H M18X100 T:150	VIS H M18X100 PAS:150
9	70930034	1	LIFTING HOOK	CROCHET LEVAGE
10	73281201	1	STEEL PLUG FEMALE 9/16JIC	BOUCHON ACIER FEMELLE 9/16JIC
11	73281203	2	STEEL PLUG FEMALE 1"1/16JIC	BOUCHON ACIER FEMELLE 1"1/16JIC
12	73414714	1	"O" RING NITRIL 2,95X29,74	JOINT TORIQUE NITRIL 2,95X29,74
13	73419312	1	"O" RING 16X23X1,9	JOINT 16X23X1,9
14	73804111	2	STRAIGHT FITTING 1"1/16JIC-SAE	ADAPTEUR DROIT 1"1/16JIC-SAE
15	73804113	1	STRAIGHT FITTING 9/16JIC-SAE	ADAPTEUR DROIT 9/16JIC-SAE
16	78400974	1	SEAL KIT	KIT JOINT
17	<b>79290025</b>	1	H300 PERCUSSION BODY	CORPS PERCUSSION H300

**Bold Part Nb: Separate parts list / Référence en gras: Nomenclature séparée**



**PHQ Global**  
TAKING MINES TO THE NEXT LEVEL!

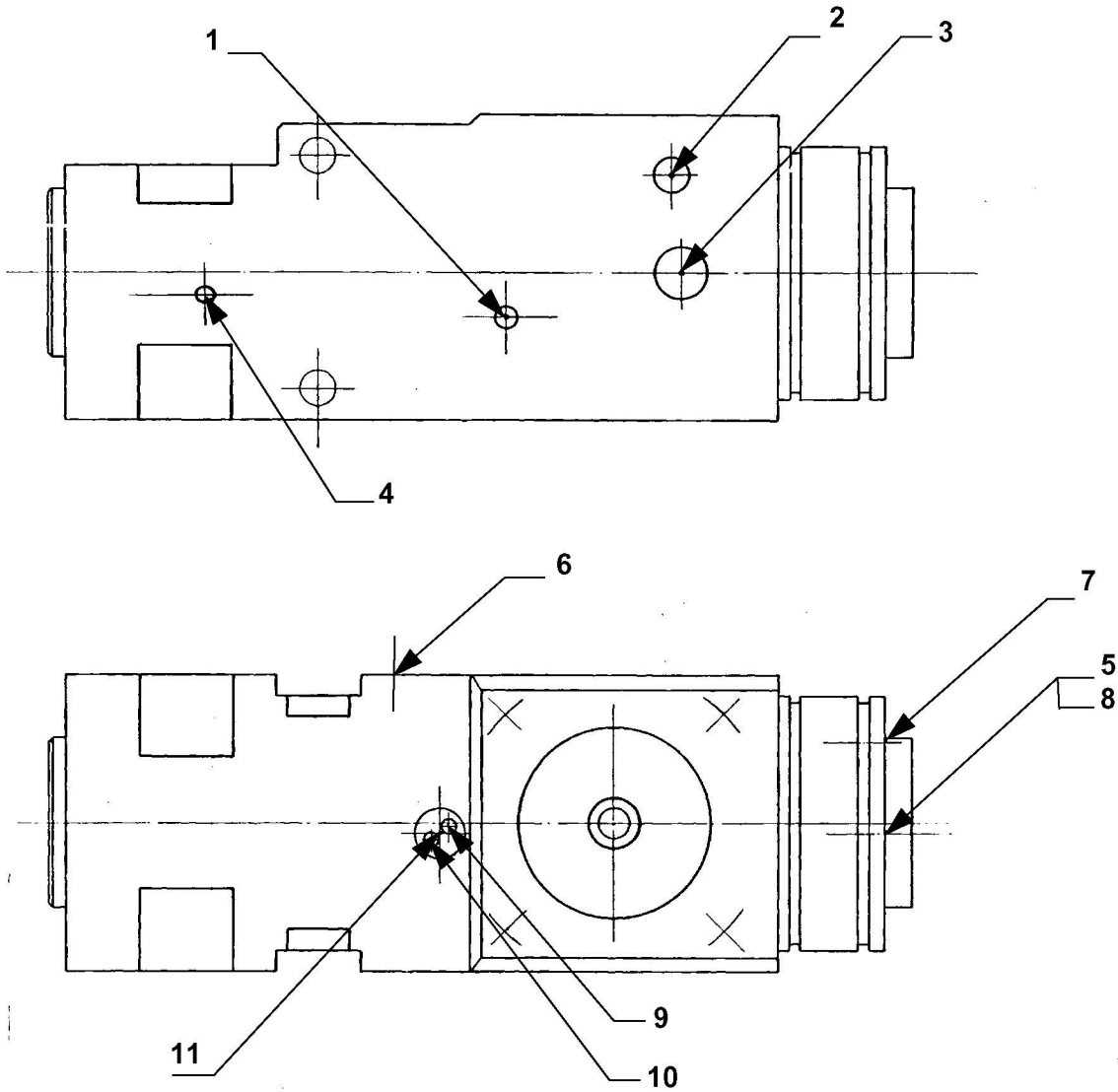


C2 1175 Appleby Line, Burlington Ontario Canada L7L 5H9  
Phone: (905) 332-3271 Fax: (905) 332-9497 Toll: (800) 267-2082  
Website: [www.phqglobal.com](http://www.phqglobal.com)

7929 0025

**PECUSSION BODY  
CORPS FRAPPE**

**@.5**



2/1/ 7929 0025

**PECUSSION BODY  
CORPS FRAPPE**

@.5

REP. ITEM	REFERENCE PART NB.	QTE. QTY.	DESIGNATION	DESCRIPTION
1	73282505	1	PLUG D10	BOUCHON D10
2	73284101	2	ALLEN PLUG 9/16"SAE	BOUCHON 6 PANS CREUX 9/16"SAE
3	73284102	1	ALLEN PLUG 7/8SAE"	BOUCHON 6 PANS CREUX 7/8"SAE
4	73282503	1	PLUG D8	BOUCHON D8
5	73414176	1	O-RING NITRIL 1.98X11.9	JOINT-TORIQUE NITRIL 1,98X11,9
6	73284101	2	ALLEN PLUG 9/16"SAE	BOUCHON 6 PANS CREUX 9/16"SAE
7	73284103	1	ALLEN PLUG 3/4"SAE	BOUCHON 6 PANS CREUX 3/4"SAE
8	70281152	1	PLUG 9/16SAE	BOUCHON 9/16SAE
9	73702168	2	SCREW CHC M6X10	VIS CHC M6X10
10	73702168	2	SCREW CHC M6X10	VIS CHC M6X10
11	73284104	1	ALLEN PLUG 1"1/16SAE	BOUCHON 6 PANS CREUX 1"1/16SAE



**PHQGlobal**  
TAKING MINES TO THE NEXT LEVEL!

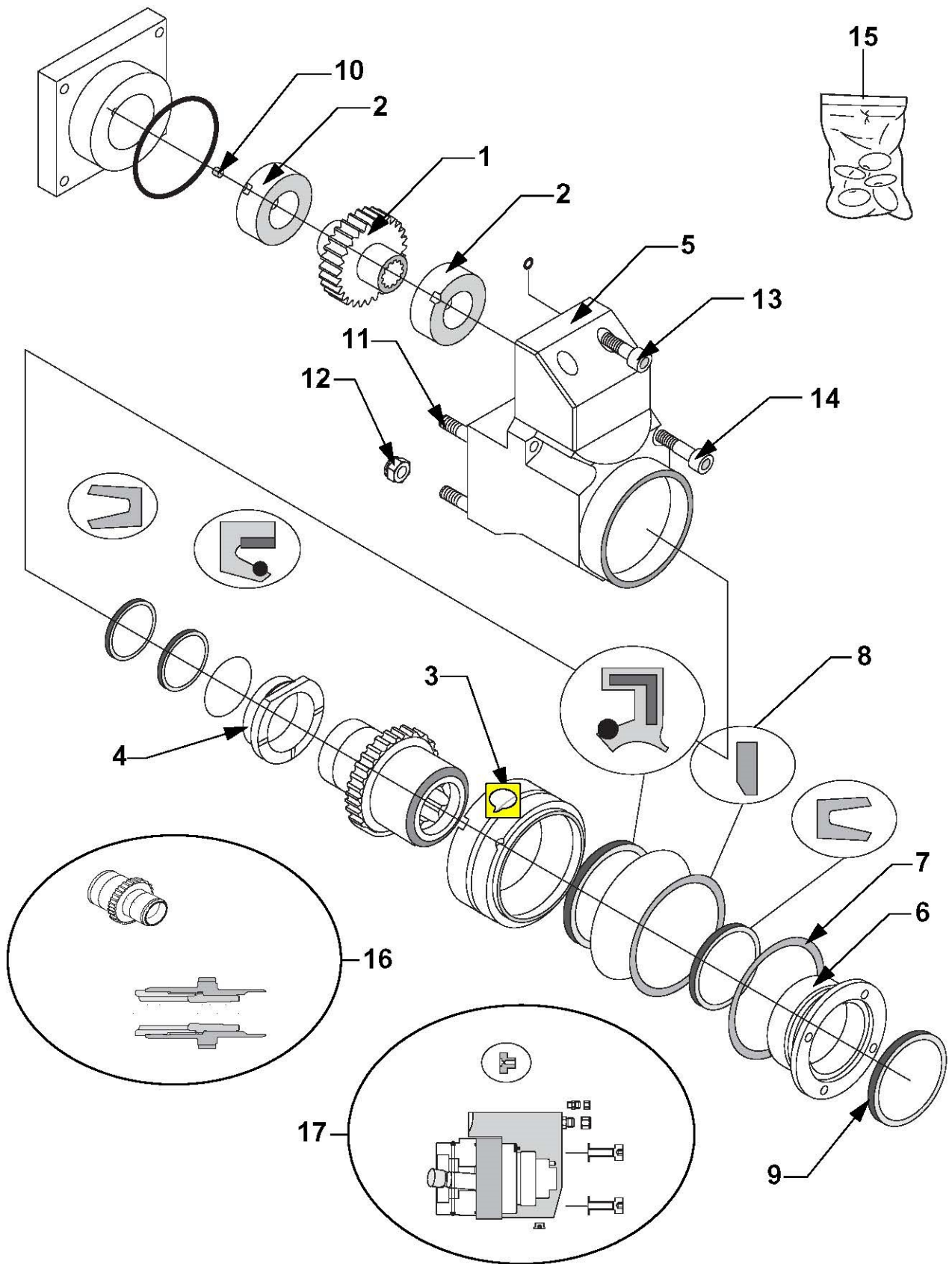


C2 1175 Appleby Line, Burlington Ontario Canada L7L 5H9  
Phone: (905) 332-3271 Fax: (905) 332-9497 Toll: (800) 267-2082  
Website: [www.phqglobal.com](http://www.phqglobal.com)

7821 7265

H300 ROTATION  
ROTATION H300

22103



3

7821 7265

**H300 ROTATION  
ROTATION H300**

22103

REP. ITEM	REFERENCE PART Nb.	QTE. QTY.	DESIGNATION	DESCRIPTION
1	70070682	1	GEAR M3 28 TEETH	ENGRENAGE M3 28 DENTS
2	70260742	2	MAIN BUSHING	PALIER PRIMAIRE
3	70260754	1	FRONT BUSHING	PALIER AVANT
4	70260755	1	REAR BUSHING	PALIER ARRIERE
5	70300801	1	ROTATION HOUSING	CARTER ROTATION
6	70361513	1	FRONT FLANGE	BRIDE AVANT
7	70391072	1	LOCK RING D:130,5/139 TH:1	RONDELLE D:130,5/139 EP:1
8	70391103	1	WASHER D:91/116 TH:5	RONDELLE D:91/116 EP:5
9	70391186	1	WASHER D:95/111 TH:13	RONDELLE D95/111 EP:13
10	70720174	2	LOCK PIN D:10 LG:12,5	PION D'ARRET D:10 LG:12,5
11	70730177	4	STUD 2X M16X83	GOUJON 2X M16X83
12	73692722	4	NUT HFR D:16 THREAD:150	ECROU HFR D:16 PAS:150
13	73703930	2	SCREW CHC M14X40 THREAD:150	VIS CHC M14X40 PAS:150
14	73703935	2	SCREW CHC 14X75 THREAD:150	VIS CHC 14X75 PAS:150
15	78400965	1	SEAL KIT	KIT JOINTS
16	<b>78401170</b>	1	MAIN GEAR	PIGNON PRINCIPAL
17	<b>78410574</b>	1	HYDRAULIC MOTOR ASS'Y	MOTEUR HYDRAULIQUE ASSEMBLE
--	70961085	1	DECAL	ETIQUETTE IMMATRICULATION
--	73282501	4	PLUG	BOUCHON A BILLE D:6
--	73282505	1	PLUG	BOUCHON D:10
--	73289050	1	PLUG	BOUCHON D:95 LG:35
--	73732578	4	RIBBER PIN	CLOU CANNELE CTR1 3x8

-- Non Représenté --Not Shown

**Bold Part Nb: Separate parts list / Référence en gras: Nomenclature séparée**



**PHQ Global**  
TAKING MINES TO THE NEXT LEVEL!

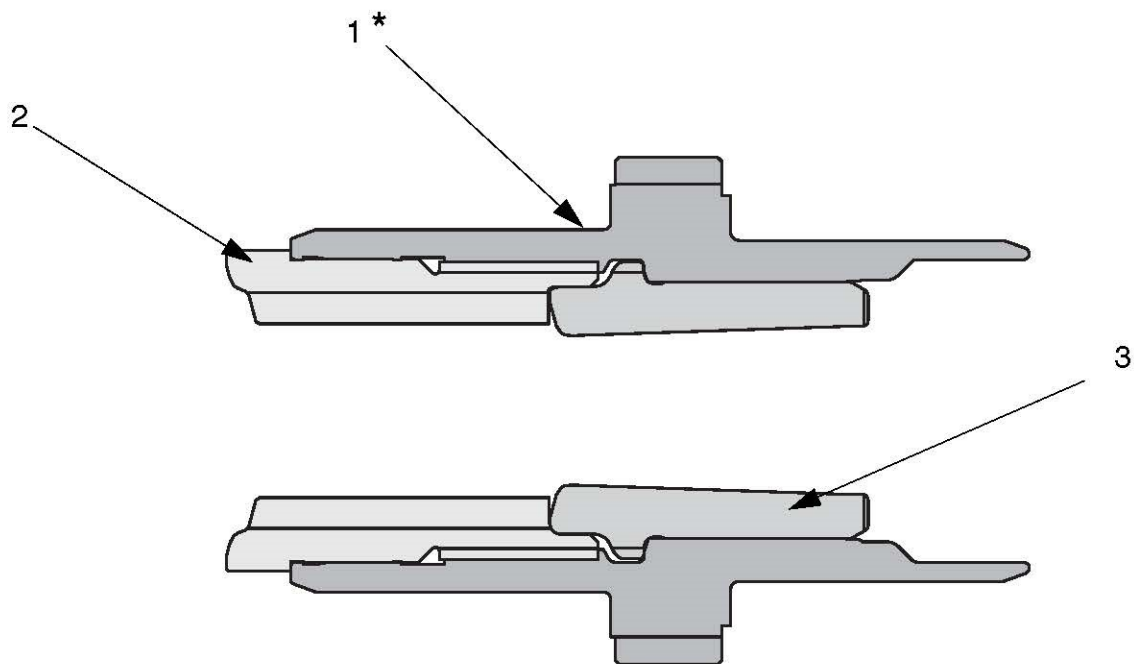
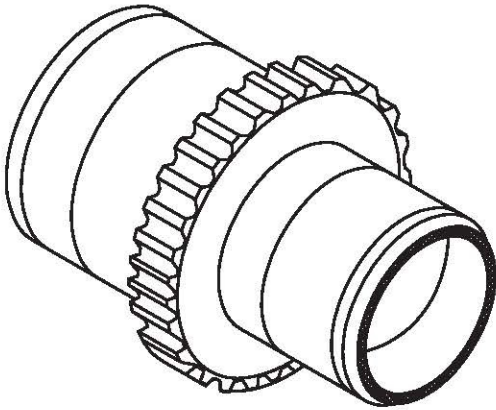


C2 1175 Appleby Line, Burlington Ontario Canada L7L 5H9  
Phone: (905) 332-3271 Fax: (905) 332-9497 Toll: (800) 267-2082  
Website: [www.phqglobal.com](http://www.phqglobal.com)

7840 1170

**MAIN GEAR**  
**PIGNON PRINCIPAL**

@.6



**PHQ Global**  
TAKING MINES TO THE NEXT LEVEL!



C2 1175 Appleby Line, Burlington Ontario Canada L7L 5H9  
Phone: (905) 332-3271 Fax: (905) 332-9497 Toll: (800) 267-2082  
Website: [www.phqglobal.com](http://www.phqglobal.com)

3/1/

7840 1170

**MAIN GEAR  
PIGNON PRINCIPAL**

@.6

---

REP. ITEM	REFERENCE PART NB.	QTE. QTY.	DESCRIPTION	DESIGNATION
1	70070688	1	38 TEETH GEAR	<i>ENGRENAGE 38 DENTS</i>
2	70220761	1	BRONZE DRIVER	<i>ENTRAINEUR BRONZE</i>
3	70420416	1	STOP SHANK	<i>BUTEE EMMANCHEMENT</i>

---



**PHQGlobal**  
TAKING MINES TO THE NEXT LEVEL!

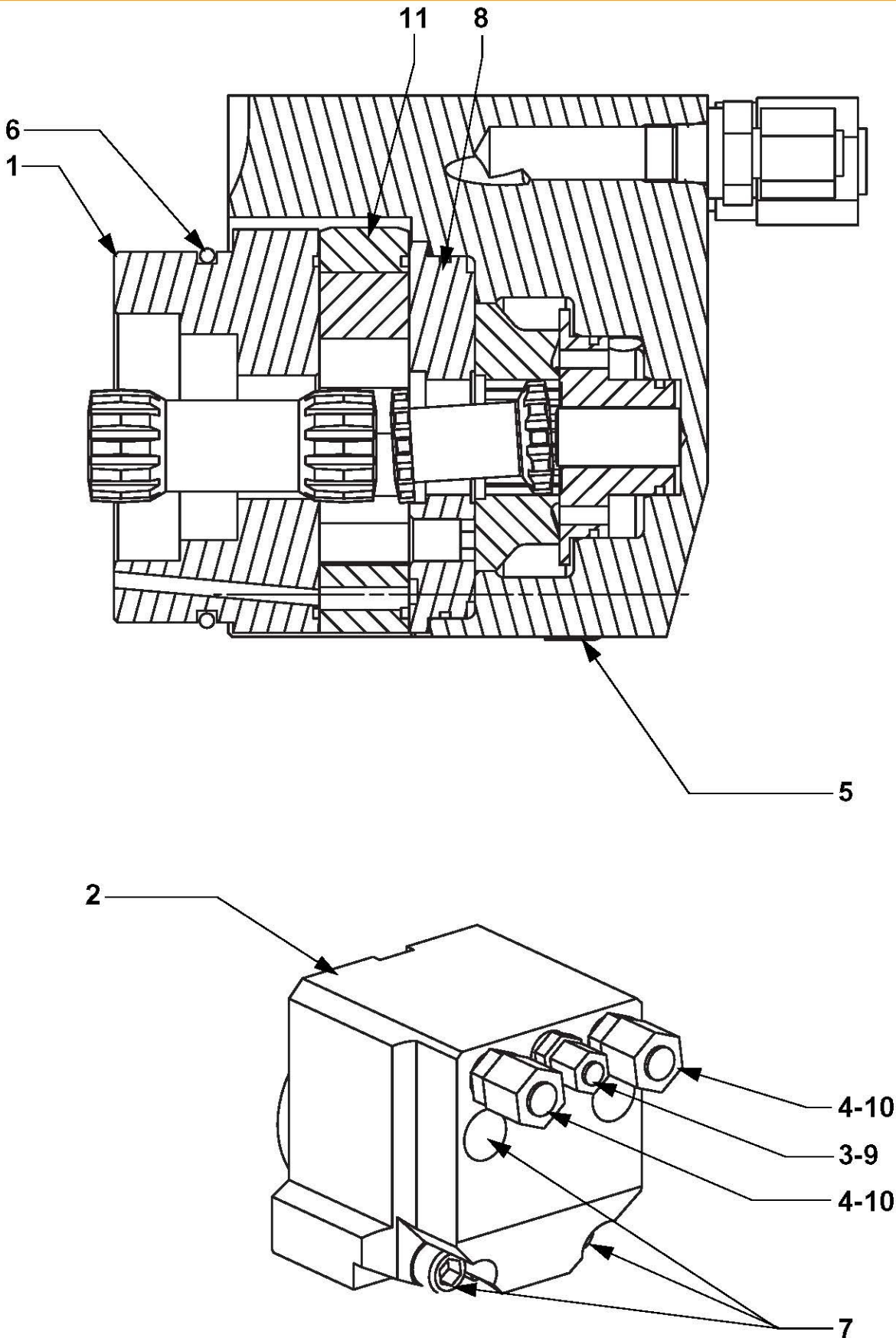


C2 1175 Appleby Line, Burlington Ontario Canada L7L 5H9  
Phone: (905) 332-3271 Fax: (905) 332-9497 Toll: (800) 267-2082  
Website: [www.phqglobal.com](http://www.phqglobal.com)

7841 0574

**MOTOR ASS'Y 125CC**  
**MOTEUR EQUIPE 125CM3**

22347



**PHQ Global**  
TAKING MINES TO THE NEXT LEVEL!



C2 1175 Appleby Line, Burlington Ontario Canada L7L 5H9  
Phone: (905) 332-3271 Fax: (905) 332-9497 Toll: (800) 267-2082  
Website: [www.phqglobal.com](http://www.phqglobal.com)



3/2/

7841 0574

**MOTOR ASS'Y 125CC**  
**MOTEUR EQUIPE 125CM3**

22347

REP. ITEM	REFERENCE PART NB.	QTE. QTY.	DESCRIPTION	DESIGNATION
1	70361446	1	MOTOR FLANGE	BRIDE MOTEUR
2	70361848	1	MOTOR HOUSING	CARTER MOTEUR
3	73281201	1	STEEL PLUG FEMALE 9/16JIC	BOUCHON ACIER FEMELLE 9/16JIC
4	73281202	2	STEEL PLUG FEMALE 7/8JIC	BOUCHON ACIER FEMELLE 7/8JIC
5	73284101	1	ALLEN PLUG 9/16SAE	BOUCHON 6 PANS CREUX 9/16SAE
6	73415066	1	'O' RING NITRIL 3.53x82.1	JOINT TORIQUE NITRIL 3,53x82,1
7	73703935	4	SCREW M14X75 THREAD:150	VIS CHC M14X75 PAS:150
8	73800203	1	JET D:35	GICLEUR D:35
9	73804113	1	STRAIGHT FITTING 9/16JIC&SAE	ADAPTEUR DROIT 9/16JIC&SAE
10	73804171	2	STRAIGHT FITTING 7/8JIC&SAE	ADAPTEUR DROIT 7/8JIC&SAE
11	78410572	1	HYDRAULIC MOTOR OMSS125 RANGE:3	KIT MOTEUR OMSS125 SERIE:3



**PHQ Global**  
 TAKING MINES TO THE NEXT LEVEL!

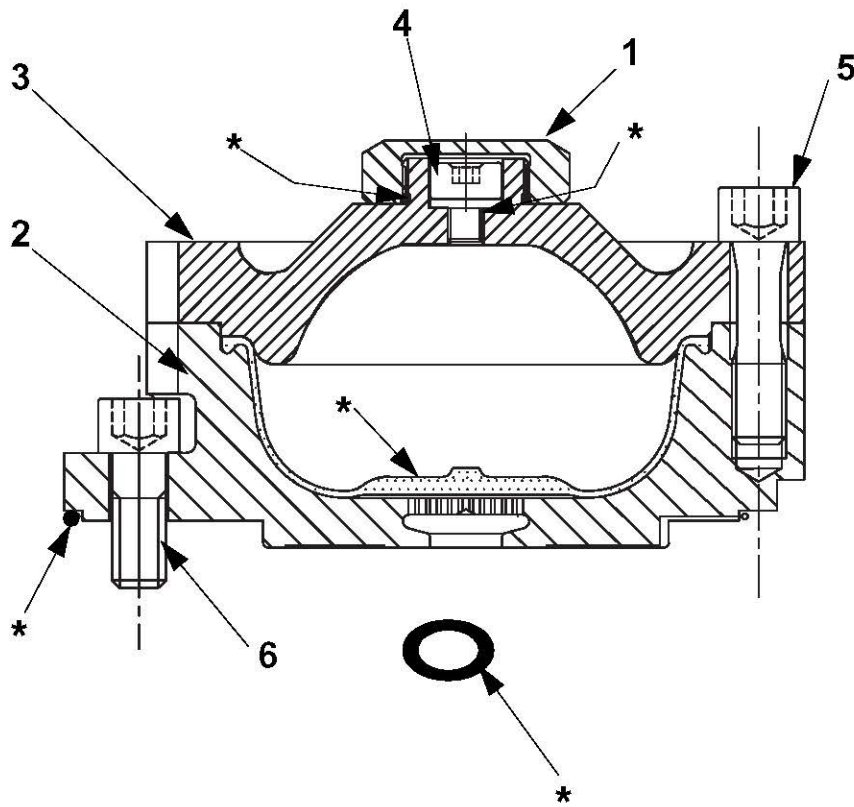
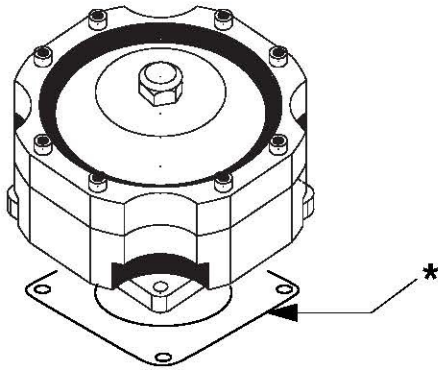


C2 1175 Appleby Line, Burlington Ontario Canada L7L 5H9  
 Phone: (905) 332-3271 Fax: (905) 332-9497 Toll: (800) 267-2082  
 Website: [www.phqglobal.com](http://www.phqglobal.com)

7821 7269

# HIGH PRESSURE ACCUMULATOR ACCUMULATEUR HAUTE PRESSION

@.8



**PHQ Global**  
TAKING MINES TO THE NEXT LEVEL!



C2 1175 Appleby Line, Burlington Ontario Canada L7L 5H9  
Phone: (905) 332-3271 Fax: (905) 332-9497 Toll: (800) 267-2082  
Website: [www.phqglobal.com](http://www.phqglobal.com)

4 7821 7269

**HIGH PRESSURE ACCUMULATOR**  
**ACCUMULATEUR HAUTE PRESSION**

@.8

REP. ITEM	REFERENCE PART NB.	QTE. QTY.	DESCRIPTION	DESIGNATION
1	70281050	1	FEMALE PLUG M28 THREAD:150	<i>BOUCHON FEMELLE M28 PAS:150</i>
2	70350326	1	BOTTOM FLANGE	<i>FLASQUE INFERIEUR</i>
3	70350327	1	TOP FLANGE	<i>FLASQUE SUPERIEUR.</i>
4	70700562	1	PLUG SCREW	<i>VIS BOUCHON</i>
5	70700652	8	SCREW M12X45 THREAD:125	<i>VIS M12X45 PAS:125</i>
6	73703908	4	SCREW CHC M12X30 THREAD:125	<i>VIS CHC M12X30 PAS:125</i>
7	78401789	1	DIAPHRAGM KIT	<i>KIT MEMBRANE</i>



**PHQGlobal**  
 TAKING MINES TO THE NEXT LEVEL!



C2 1175 Appleby Line, Burlington Ontario Canada L7L 5H9  
 Phone: (905) 332-3271 Fax: (905) 332-9497 Toll: (800) 267-2082  
 Website: [www.phqglobal.com](http://www.phqglobal.com)



**PHQGlobal**  
TAKING MINES TO THE NEXT LEVEL!



**C2 1175 Appleby Line, Burlington Ontario Canada L7L 5H9**  
**Phone: (905) 332-3271 Fax: (905) 332-9497 Toll: (800) 267-2082**  
**Website: [www.phqglobal.com](http://www.phqglobal.com)**