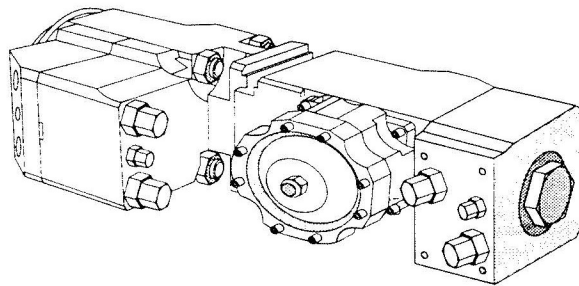


PERFORATEUR HYDRASTAR 200
DRIFTER HYDRASTAR 200
806 2026

SPARE PARTS



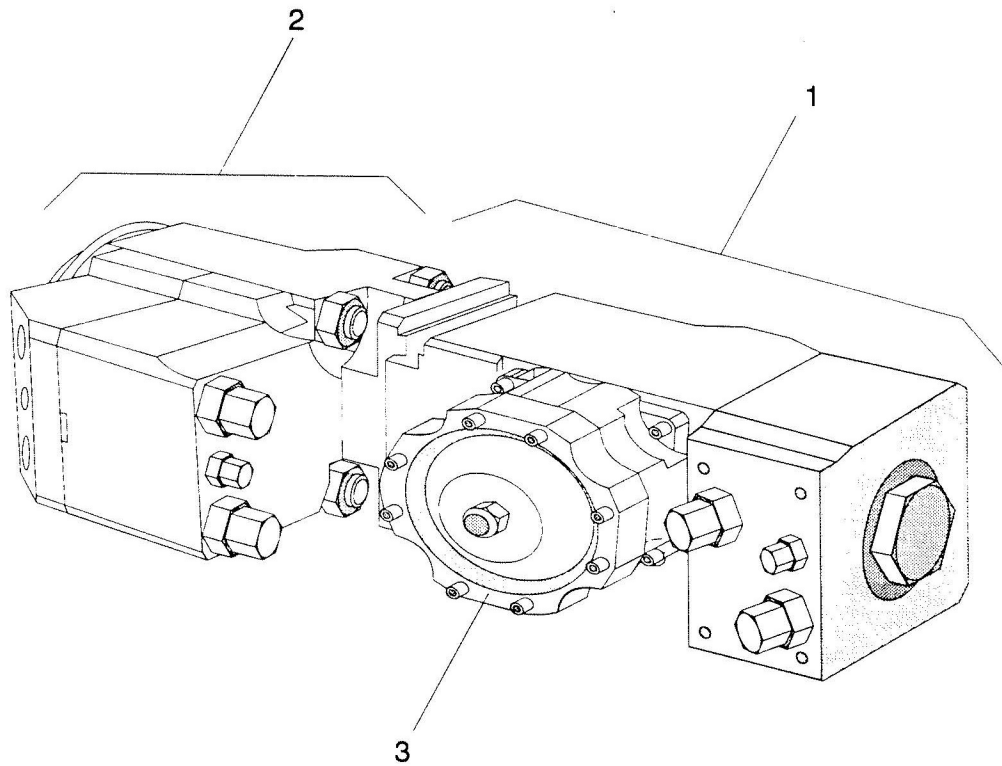
INDICE:



PHQGlobal
TAKING MINES TO THE NEXT LEVEL!



C2 1175 Appleby Line, Burlington Ontario Canada L7L 5H9
Phone: (905) 332-3271 Fax: (905) 332-9497 Toll: (800) 267-2082
Website: www.phqglobal.com



PHQGlobal
TAKING MINES TO THE NEXT LEVEL!



C2 1175 Appleby Line, Burlington Ontario Canada L7L 5H9
Phone: (905) 332-3271 Fax: (905) 332-9497 Toll: (800) 267-2082
Website: www.phqglobal.com

TABLE DES MATIERES
TABLE OF CONTENTS

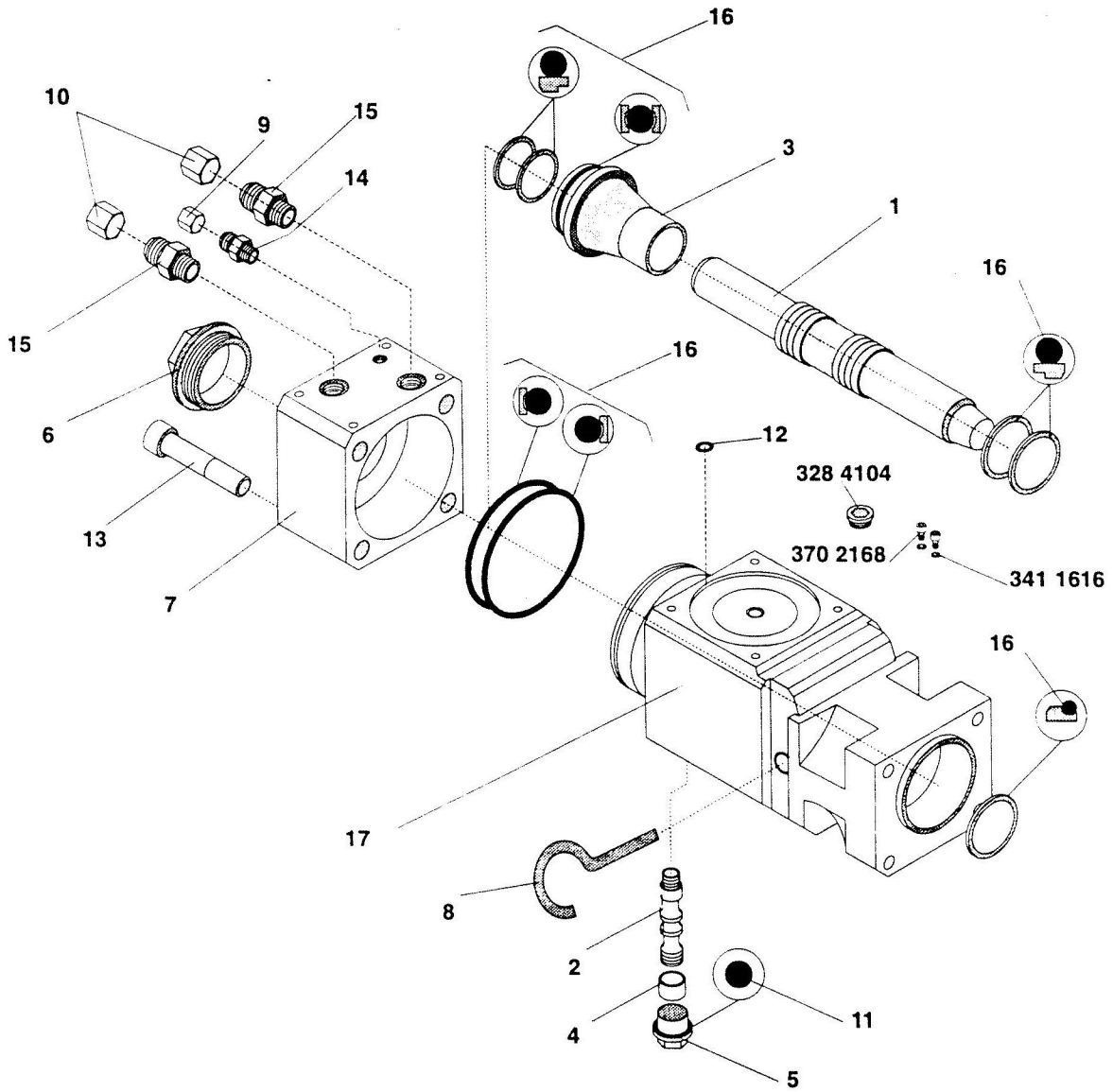
1	821 7167	ENSEMBLE FRAPPE <i>PERCUSSION ASSEMBLY</i>	5
1/1	840 1076	KIT JOINT PERCUSSION <i>PERCUSSION SEAL KIT</i>	7
2	821 7165	ENSEMBLE ROTATION <i>ROTATION ASSEMBLY</i>	9
2/1	840 0965	KIT JOINT ROTATION <i>ROTATION SEAL KIT</i>	11
2/1/1	840 1170	PIGNON ENTRAINEMENT <i>MAIN PINION</i>	13
2/1/2	841 0304	MOTEUR HYDRAULIQUE ASSEMBLE <i>HYDRAULIC MOTOR ASSEMBLY</i>	15
2/1/3	841 0259	MOTEUR HYDRAULIQUE <i>HYDRAULIC MOTOR</i>	17
3	821 7269	ACCUMULATEUR HAUTE PRESSION NITROGEN ACCUMULATOR	18999 19
4	806 4022	KIT MONTAGE GLISSIERE CC2500 <i>CC2500 DRILL FEED PARTS SET</i>	21



PHQGlobal
TAKING MINES TO THE NEXT LEVEL!



C2 1175 Appleby Line, Burlington Ontario Canada L7L 5H9
Phone: (905) 332-3271 Fax: (905) 332-9497 Toll: (800) 267-2082
Website: www.phqglobal.com



PHQGlobal
 TAKING MINES TO THE NEXT LEVEL!



C2 1175 Appleby Line, Burlington Ontario Canada L7L 5H9
 Phone: (905) 332-3271 Fax: (905) 332-9497 Toll: (800) 267-2082
 Website: www.phqglobal.com

**1 821 7167 ENSEMBLE FRAPPE
 PERCUSSION ASSEMBLY**

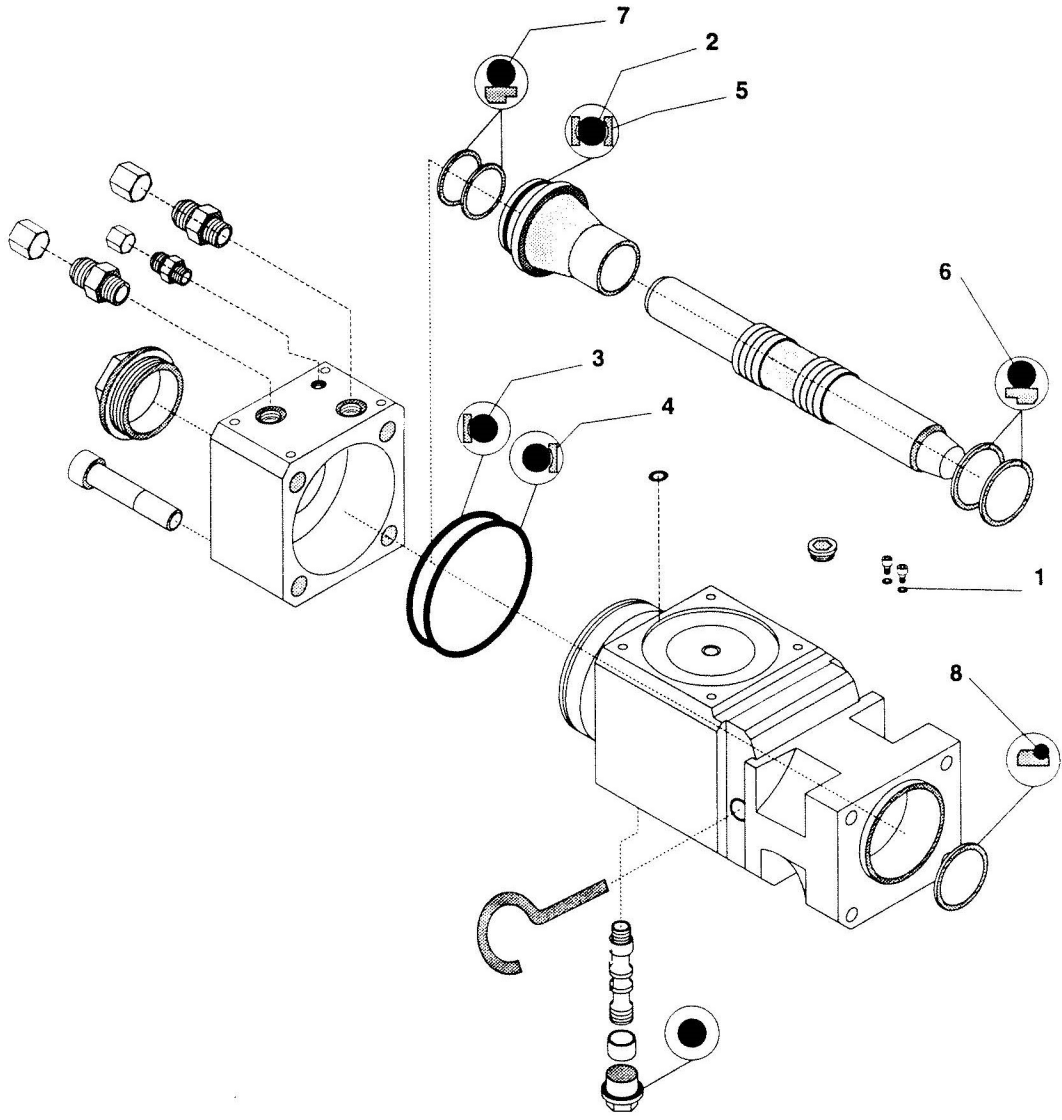
REP. ITEM	REFERENCE PART Nb.	QTE. QTY.	DESIGNATION	DESCRIPTION	INFORMATION
1	013 0094	1	PISTON	PISTON	
2	016 0037	1	VALVE	VALVE	
3	021 2517	1	BAGUE	BUSHING	
4	021 2638	1	BAGUE	RING	
5	028 1122	1	BOUCHON	PLUG	
6	028 1155	1	COUVERCLE	COVER	
7	036 1550	1	BRIDE ARRIERE	REAR FLANGE	
8	093 0034	1	CROCHET	HOOK	
9	328 1201	1	BOUCHON METAL	METAL. CAP	
10	328 1202	2	BOUCHON METAL	METAL. CAP	
11	341 4714	1	JOINT TORIQUE	'O' RING	
12	341 9312	1	JOINT TORIQUE	'O' RING	
13	370 3958	4	VIS CHC	'ALLEN' SCREW	
14	380 4113	1	ADAPTEUR DROIT	STRAIGHT FITTING	
15	380 4171	2	ADAPTEUR DROIT	STRAIGHT FITTING	
16	840 1076	1	KIT DE JOINT	SEAL KIT	
17	929 0040	1	CORPS PERCUSSION	PERCUSSION BODY	



PHQGlobal
TAKING MINES TO THE NEXT LEVEL!



C2 1175 Appleby Line, Burlington Ontario Canada L7L 5H9
Phone: (905) 332-3271 Fax: (905) 332-9497 Toll: (800) 267-2082
Website: www.phqglobal.com



PHQGlobal
 TAKING MINES TO THE NEXT LEVEL!



C2 1175 Appleby Line, Burlington Ontario Canada L7L 5H9
 Phone: (905) 332-3271 Fax: (905) 332-9497 Toll: (800) 267-2082
 Website: www.phqglobal.com

1/1/ 840 1076 **KIT JOINT PERCUSSION**
PERCUSSION SEAL KIT

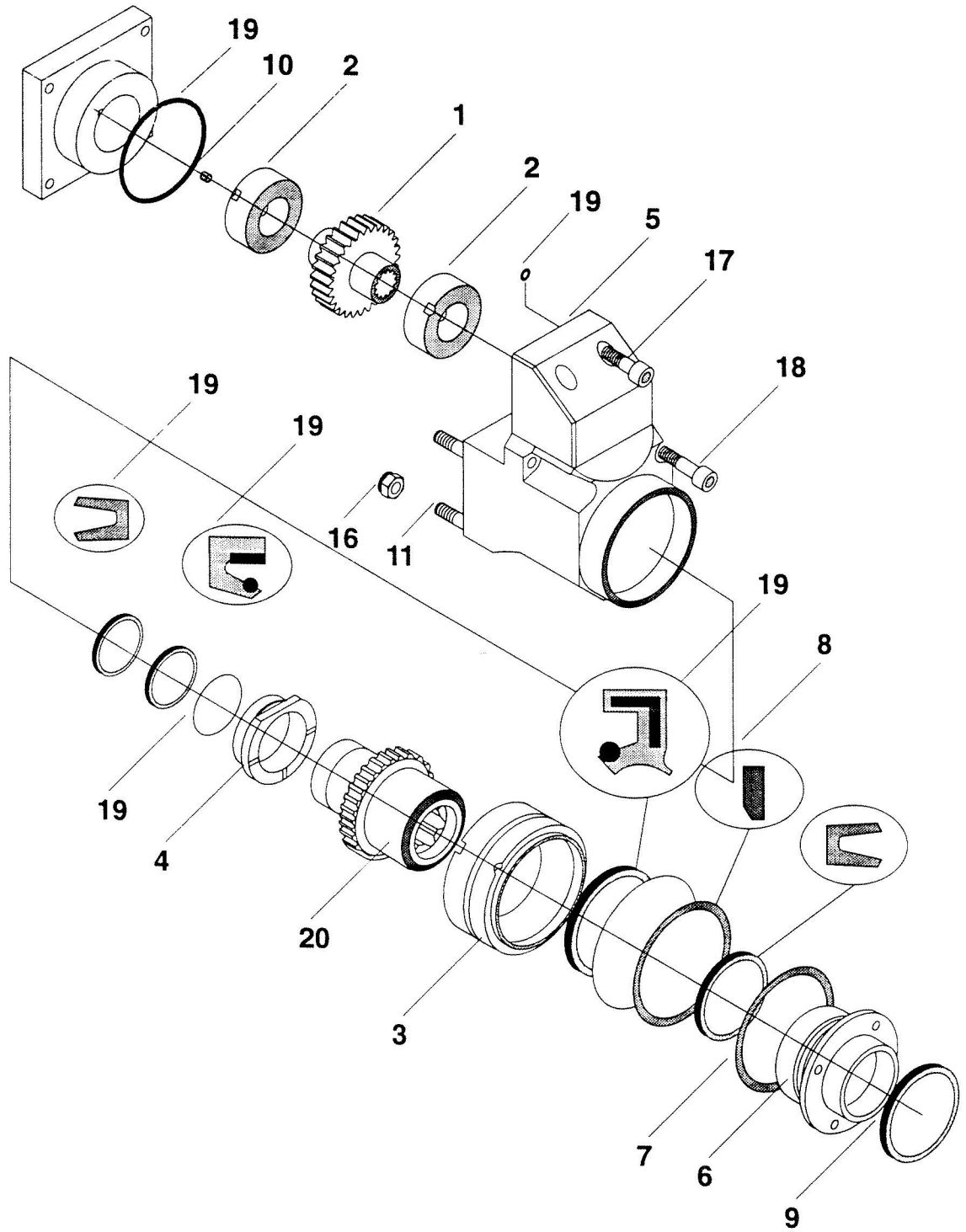
REP. ITEM	REFERENCE PART Nb.	QTE. QTY.	DESIGNATION	DESCRIPTION	INFORMATION
1	341 1616	2	JOINT TORIQUE	«O» RING	
2	341 5044	1	JOINT TORIQUE	«O» RING	
3	341 5078	2	JOINT TORIQUE	«O» RING	
4	341 8726	2	CONTRE JOINT	BACK-UP RING	
5	341 8727	2	CONTRE JOINT	BACK-UP RING	
6	840 0839	2	ENSEMBLE JOINT	SEAL KIT	
7	840 1024	2	ENSEMBLE JOINT	SEAL KIT	
8	840 1025	1	ENSEMBLE JOINT RACLEUR	DUST SEAL ASSEMBLY	



PHQGlobal
 TAKING MINES TO THE NEXT LEVEL!



C2 1175 Appleby Line, Burlington Ontario Canada L7L 5H9
 Phone: (905) 332-3271 Fax: (905) 332-9497 Toll: (800) 267-2082
 Website: www.phqglobal.com



PHQGlobal
 TAKING MINES TO THE NEXT LEVEL!



C2 1175 Appleby Line, Burlington Ontario Canada L7L 5H9
 Phone: (905) 332-3271 Fax: (905) 332-9497 Toll: (800) 267-2082
 Website: www.phqglobal.com

**2 821 7165 ENSEMBLE ROTATION
 ROTATION ASSEMBLY**

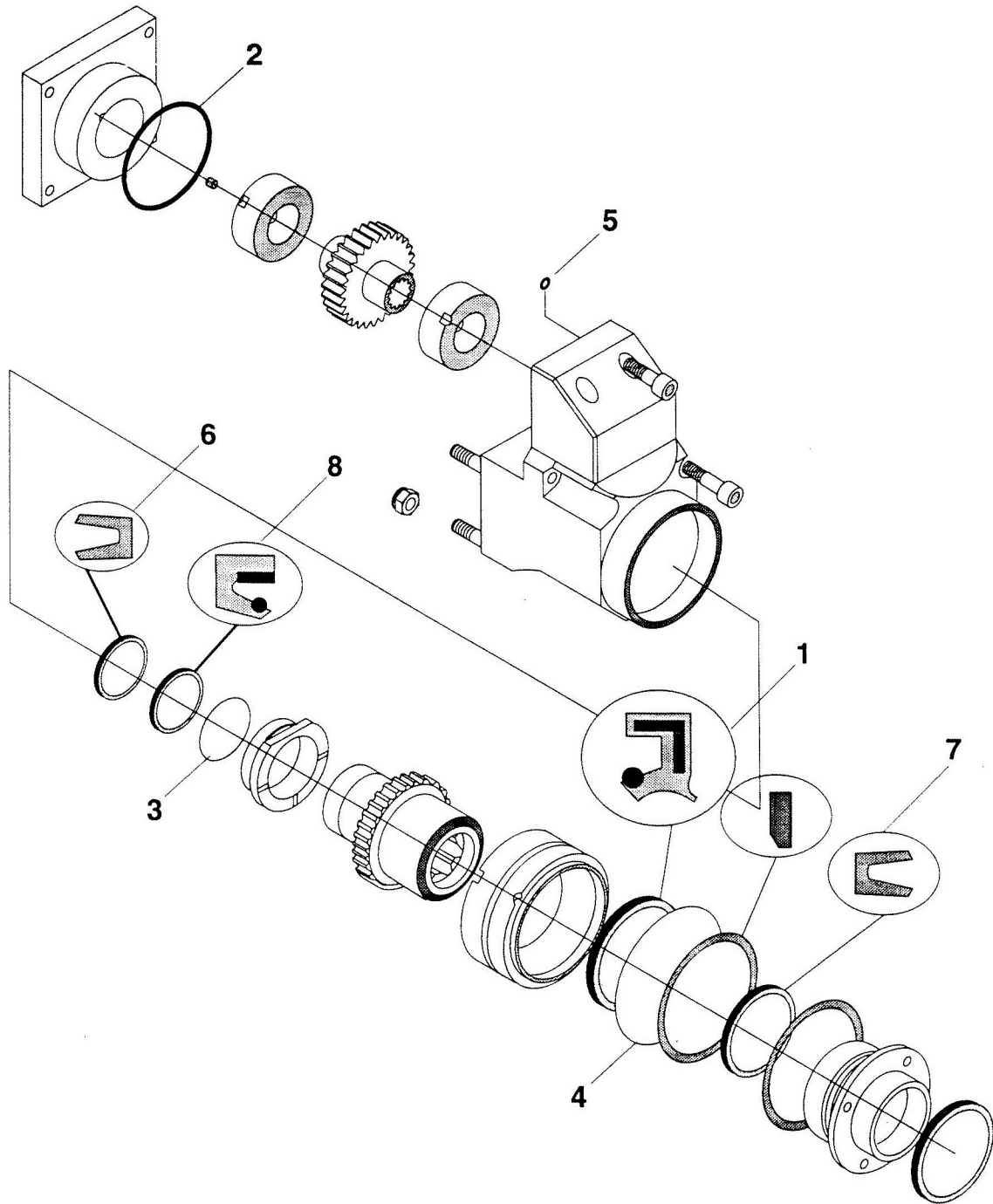
REP. ITEM	REFERENCE PART NB.	QTE. QTY.	DESIGNATION	DESCRIPTION	INFORMATION
1	007 0682	1	ENGRENAGE	GEAR	
2	026 0742	2	PALIER	BUSHING	
3	026 0754	1	PALIER AVANT	FRONT BUSHING	
4	026 0755	1	PALIER ARRIERE	REAR BUSHING	
5	030 0801	1	CARTER ROTATION	ROTATION HOUSING	
6	036 1513	1	BRIDE AVANT	FRONT FLANGE	
7	039 1072	1	RONDELLE	WASHER	
8	039 1103	1	RONDELLE	WASHER	
9	039 1117	1	RONDELLE	WASHER	
10	072 0174	2	PION D'ARRET	LOCK PIN	
11	073 0177	4	GOUJON	STUD	
12	096 1085	1	ETIQUETTE	DECAL	
13	328 2501	4	BOUCHON	PLUG	
14	328 2505	1	BOUCHON	PLUG	
15	328 9050	1	BOUCHON	PLUG	
16	369 2722	4	ECROU	NUT	
17	370 3930	2	VIS CHC	'ALLEN' SCREW	
18	370 3935	2	VIS CHC	'ALLEN' SCREW	
19	840 0965	1	KIT JOINT	'SEAL KIT	
20	840 1170	1	PIGNON ASSEMBLE	MAIN GEAR ASSEMBLY	



PHQGlobal
 TAKING MINES TO THE NEXT LEVEL!



C2 1175 Appleby Line, Burlington Ontario Canada L7L 5H9
Phone: (905) 332-3271 Fax: (905) 332-9497 Toll: (800) 267-2082
Website: www.phqglobal.com



PHQGlobal
 TAKING MINES TO THE NEXT LEVEL!



C2 1175 Appleby Line, Burlington Ontario Canada L7L 5H9
 Phone: (905) 332-3271 Fax: (905) 332-9497 Toll: (800) 267-2082
 Website: www.phqglobal.com

**2/1/ 840 0965 KIT JOINT ROTATION
ROTATION SEAL KIT**

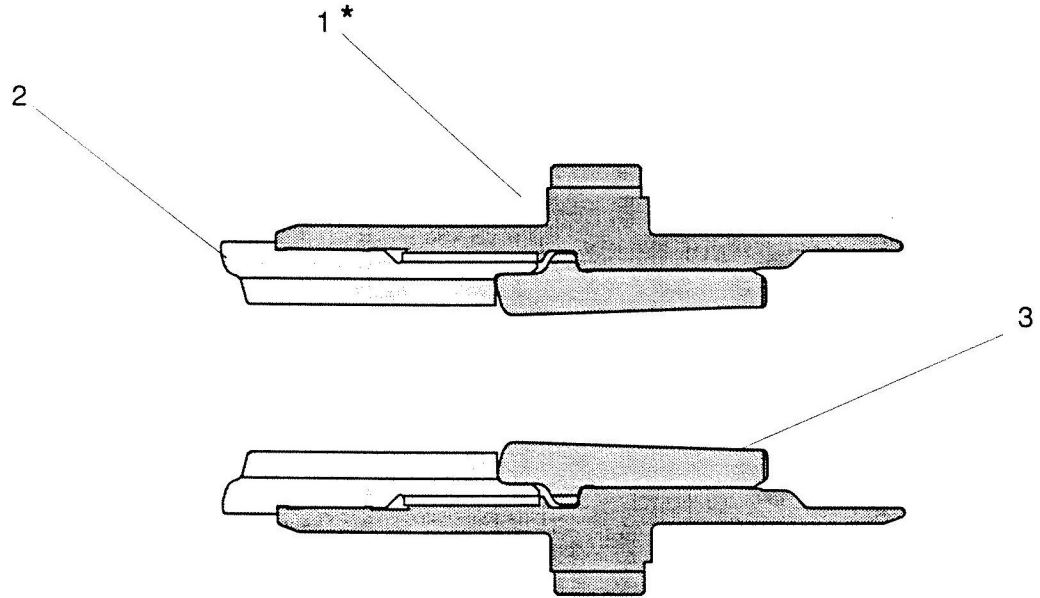
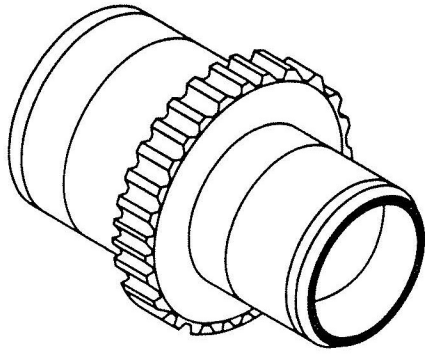
REP. ITEM	REFERENCE PART Nb.	QTE. QTY.	DESIGNATION	DESCRIPTION	INFORMATION
1	341 3214	1	JOINT	SEAL	
2	341 5066	1	JOINT TORIQUE	«O» RING	
3	341 5070	1	JOINT TORIQUE	«O» RING	
4	341 5088	1	JOINT TORIQUE	«O» RING	
5	341 9314	1	JOINT	SEAL	
6	341 9950	1	JOINT	SEAL	
7	341 9951	1	JOINT	SEAL	
8	840 1337	1	JOINT	SEAL	



PHQGlobal
TAKING MINES TO THE NEXT LEVEL!



C2 1175 Appleby Line, Burlington Ontario Canada L7L 5H9
Phone: (905) 332-3271 Fax: (905) 332-9497 Toll: (800) 267-2082
Website: www.phqglobal.com



PHQGlobal
TAKING MINES TO THE NEXT LEVEL!



C2 1175 Appleby Line, Burlington Ontario Canada L7L 5H9
Phone: (905) 332-3271 Fax: (905) 332-9497 Toll: (800) 267-2082
Website: www.phqglobal.com

**2/1/1 840 1170 PIGNON ENTRAINEMENT
MAIN PINION**

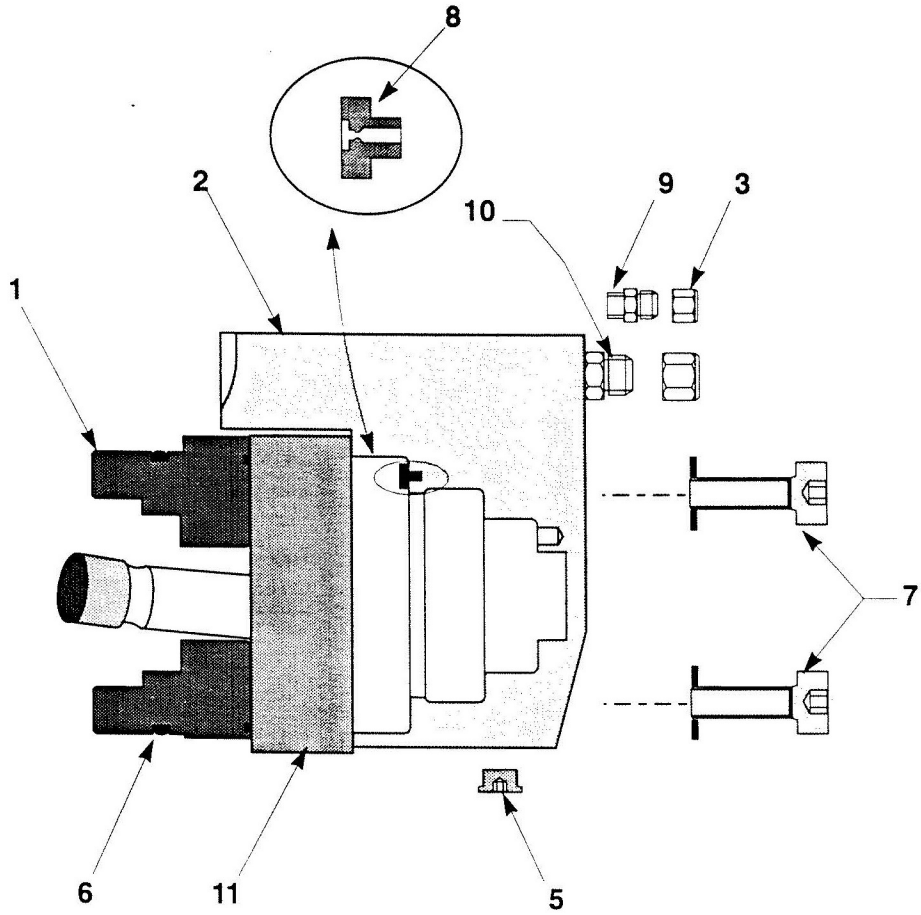
REP. ITEM	REFERENCE PART Nb.	QTE. QTY.	DESIGNATION	DESCRIPTION	INFORMATION
1	007 0688	1	ENGRENAGE	GEAR	
2	022 0761	1	MANCHON	COUPLING	
3	042 0416	1	BUTEE	STOP	



PHQGlobal
TAKING MINES TO THE NEXT LEVEL!



C2 1175 Appleby Line, Burlington Ontario Canada L7L 5H9
Phone: (905) 332-3271 Fax: (905) 332-9497 Toll: (800) 267-2082
Website: www.phqglobal.com



PHQGlobal
 TAKING MINES TO THE NEXT LEVEL!



C2 1175 Appleby Line, Burlington Ontario Canada L7L 5H9
 Phone: (905) 332-3271 Fax: (905) 332-9497 Toll: (800) 267-2082
 Website: www.phqglobal.com

**2/1/2 841 0304 MOTEUR HYDRAULIQUE ASSEMBLE
HYDRAULIC MOTOR ASSEMBLY**

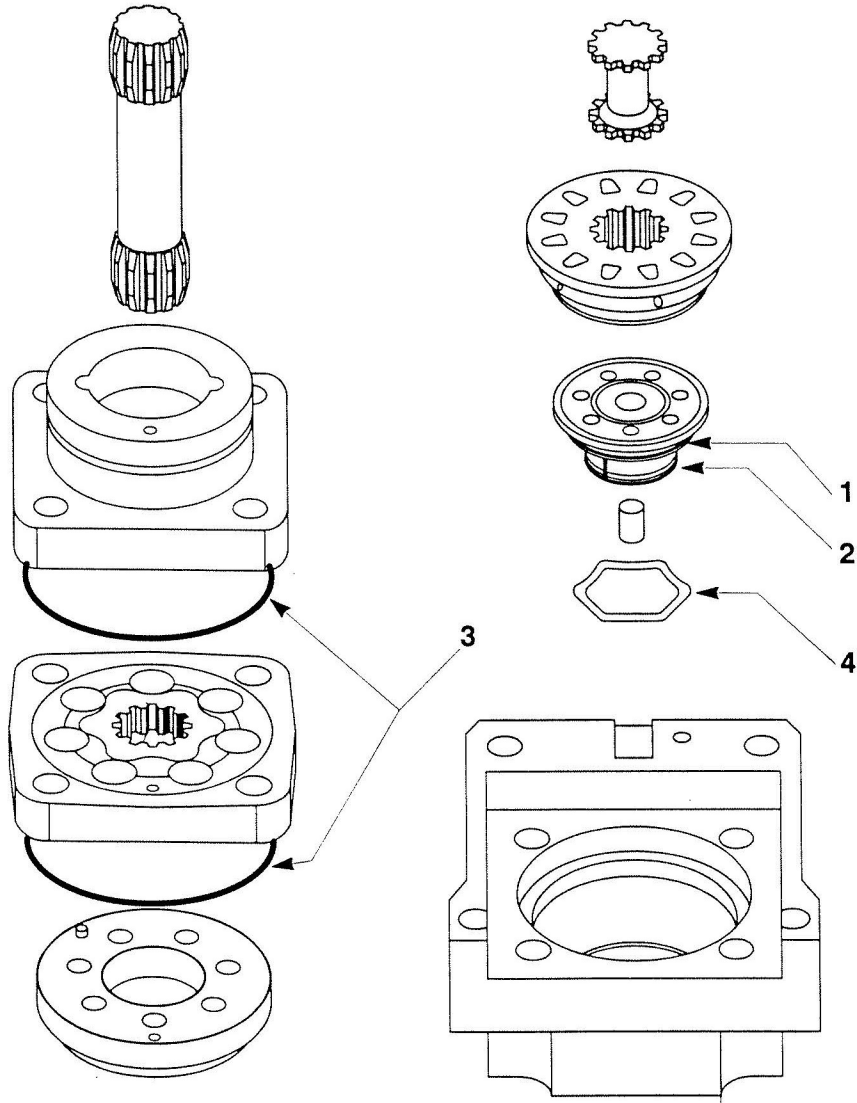
REP. ITEM	REFERENCE PART NB.	QTE. QTY.	DESIGNATION	DESCRIPTION	INFORMATION
1	036 1446	1	BRIDE MOTEUR	HYDRAULIC M - FLANGE	
2	036 1520	1	CARTER	HOUSING	
3	328 1201	1	BOUCHON	PLUG	
4	328 1202	2	BOUCHON	PLUG	
5	328 4101	1	BOUCHON	PLUG	
6	341 5066	1	BOUCHON	PLUG	
7	370 3935	4	VIS	SCREW	
8	380 0203	1	GICLEUR	JET	
9	380 4113	1	ADAPTEUR DROIT	STRAIGHT FITTING	
10	380 4171	2	ADAPTEUR DROIT	STRAIGHT FITTING	
11	841 0259	1	MOTEUR HYDRAULIQUE	HYDRAULIC MOTOR	



PHQGlobal
TAKING MINES TO THE NEXT LEVEL!



C2 1175 Appleby Line, Burlington Ontario Canada L7L 5H9
Phone: (905) 332-3271 Fax: (905) 332-9497 Toll: (800) 267-2082
Website: www.phqglobal.com



PHQGlobal
 TAKING MINES TO THE NEXT LEVEL!



C2 1175 Appleby Line, Burlington Ontario Canada L7L 5H9
 Phone: (905) 332-3271 Fax: (905) 332-9497 Toll: (800) 267-2082
 Website: www.phqglobal.com

**2/1/3 841 0259 MOTEUR HYDRAULIQUE
HYDRAULIC MOTOR**

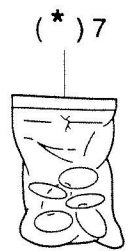
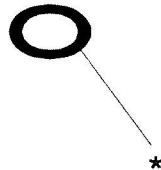
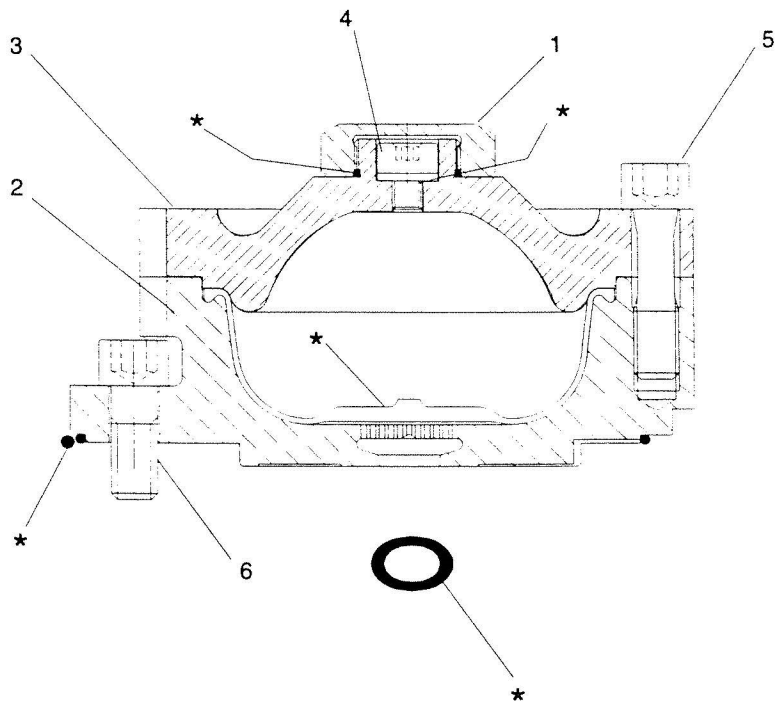
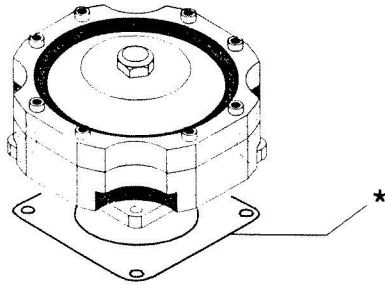
REP. ITEM	REFERENCE PART Nb.	QTE. QTY.	DESIGNATION	DESCRIPTION	INFORMATION
1	341 4222	1	JOINT TORIQUE	«O» RING	
2	341 4236	1	JOINT TORIQUE	«O» RING	
3	341 4272	2	JOINT TORIQUE	«O» RING	
4	775 0784	1	RESSORT	SPRING	



PHQGlobal
TAKING MINES TO THE NEXT LEVEL!



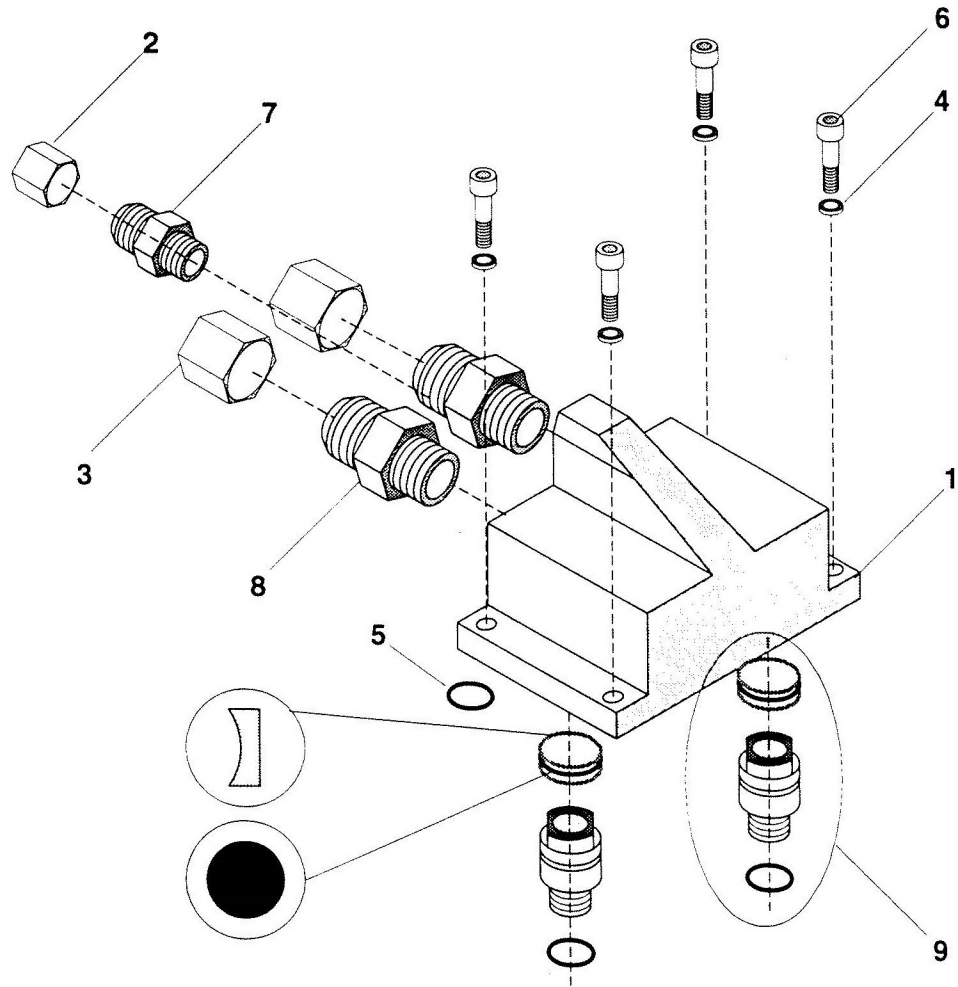
C2 1175 Appleby Line, Burlington Ontario Canada L7L 5H9
Phone: (905) 332-3271 Fax: (905) 332-9497 Toll: (800) 267-2082
Website: www.phqglobal.com



PHQGlobal
TAKING MINES TO THE NEXT LEVEL!



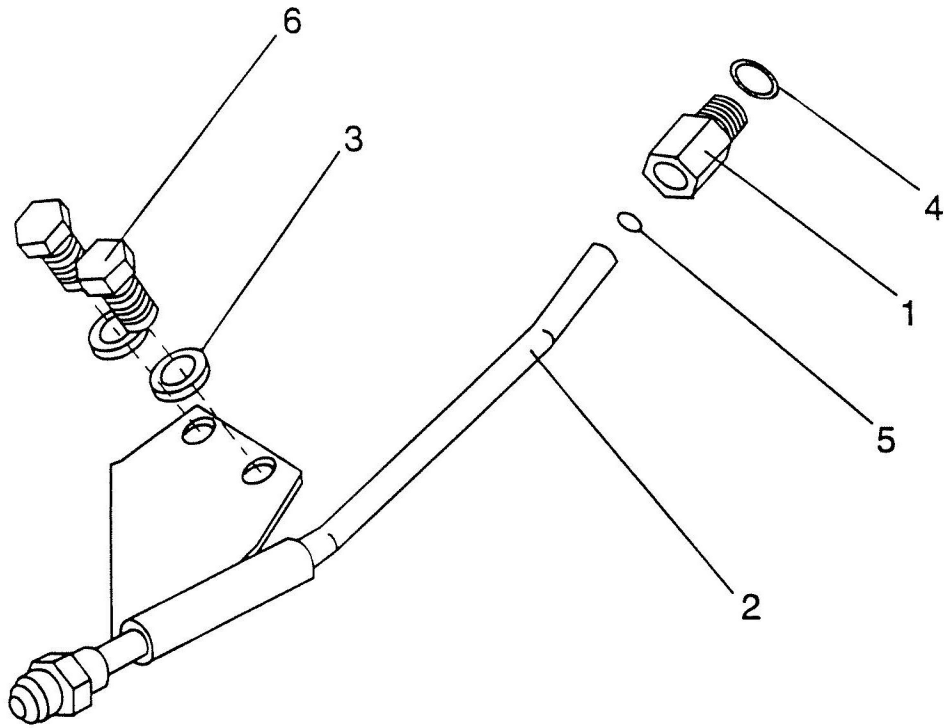
C2 1175 Appleby Line, Burlington Ontario Canada L7L 5H9
Phone: (905) 332-3271 Fax: (905) 332-9497 Toll: (800) 267-2082
Website: www.phqglobal.com



PHQGlobal
 TAKING MINES TO THE NEXT LEVEL!



C2 1175 Appleby Line, Burlington Ontario Canada L7L 5H9
 Phone: (905) 332-3271 Fax: (905) 332-9497 Toll: (800) 267-2082
 Website: www.phqglobal.com



PHQGlobal
TAKING MINES TO THE NEXT LEVEL!



C2 1175 Appleby Line, Burlington Ontario Canada L7L 5H9
Phone: (905) 332-3271 Fax: (905) 332-9497 Toll: (800) 267-2082
Website: www.phqglobal.com

sous-section sub-section		
3	809 0653	TUBE INJECTION EAU WATER FLUSHING TUBE

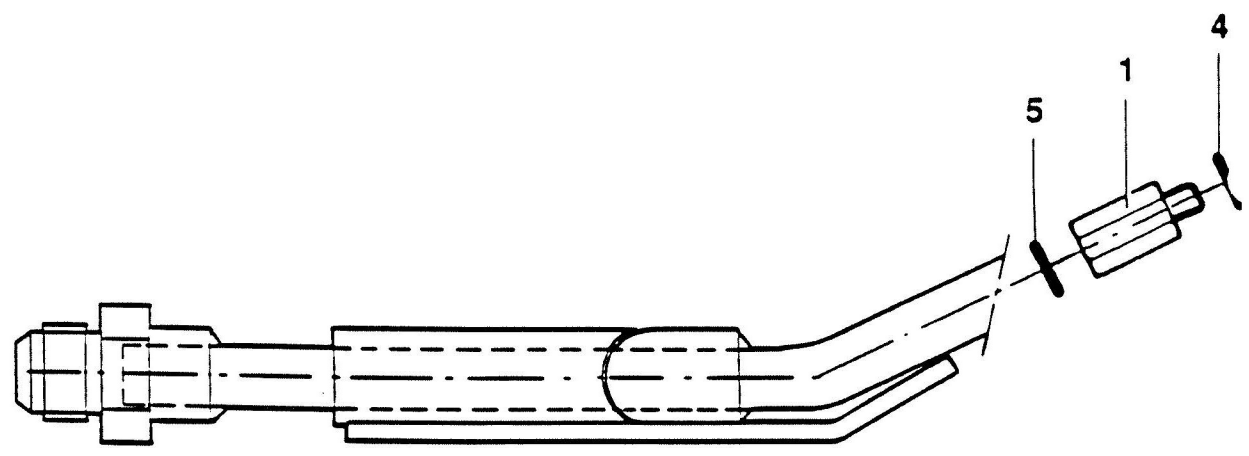
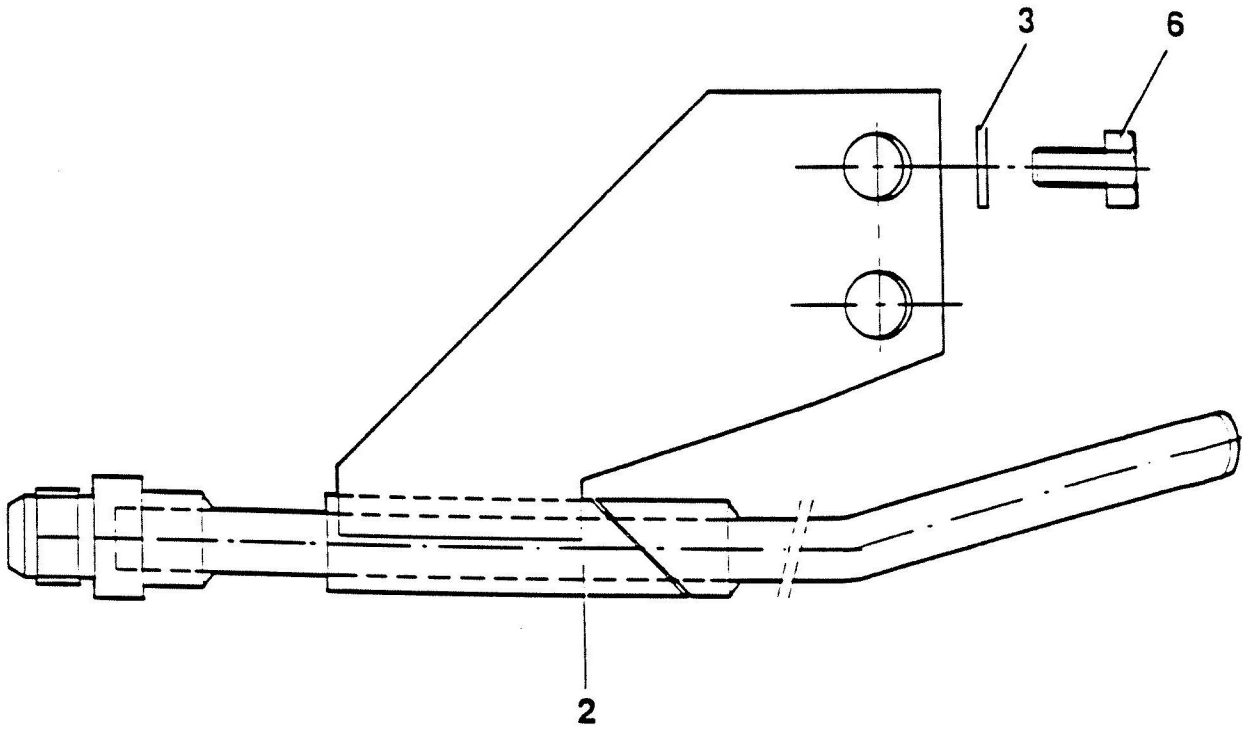
REP. ITEM	REFERENCE PART Nb.	QTE. QTY.	DESIGNATION	DESCRIPTION
1	080 1192	1	RACCORD	UNION
2	082 1125	1	TUBULURE	PIPE
3	339 0714	2	RONDELLE	WASHER
4	341 4336	1	JOINTS TORIQUES	O'RING
5	341 4586	1	JOINTS TORIQUES	O'RING
6	370 1431	2	VIS	SCREW



PHQGlobal
TAKING MINES TO THE NEXT LEVEL!



C2 1175 Appleby Line, Burlington Ontario Canada L7L 5H9
Phone: (905) 332-3271 Fax: (905) 332-9497 Toll: (800) 267-2082
Website: www.phqglobal.com



809 0652



PHQGlobal
 TAKING MINES TO THE NEXT LEVEL!



C2 1175 Appleby Line, Burlington Ontario Canada L7L 5H9
 Phone: (905) 332-3271 Fax: (905) 332-9497 Toll: (800) 267-2082
 Website: www.phqglobal.com

SECOMA

27/08/97

* NOMENCLATURE 8090652 TUBE-INJEC-EAU *
* PARTS LIST NO 8090652 WATER FLUSHING TUBE *

REP ITEM	REFERENCE PART NO	QTE QTY	DESIGNATION DESCRIPTION	PRECONISATIONS RECOMMENDED SPARES		
				6	12	24
1	0801192	1	RACCORD UNION	0	1	2
2	0821126	1	TUBULURE-D PIPE	0	1	2
3	3390714	2	RONDELLE WASHER			
4	3414336	1	JOINT-TORIQUE "O" RING	1	2	4
5	3414586	1	JOINT-TORIQUE "O" RING	1	2	4
6	3701431	2	VIS SCREW			



PHQGlobal

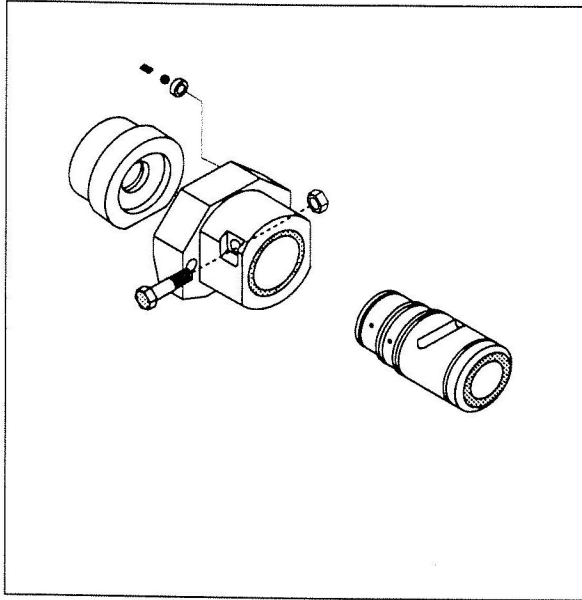
TAKING MINES TO THE NEXT LEVEL!



C2 1175 Appleby Line, Burlington Ontario Canada L7L 5H9
Phone: (905) 332-3271 Fax: (905) 332-9497 Toll: (800) 267-2082
Website: www.phqglobal.com

MANUEL PIÈCES DE RECHANGE SPARE PARTS MANUAL

TETE INJECTION EAU WATER FLUSHING HEAD 809 0690



IMPORTANT:

Ce manuel et les informations confidentielles qu'il contient sont la propriété de **SECOMA**. Il doit être retourné sur demande. Il ne doit être ni reproduit, ni divulgué, ni utilisé d'une manière pouvant porter préjudice aux intérêts de:

NOTE:

*This manual, together with the confidential information it contains, is the exclusive property of **SECOMA**. It must be returned to the owner on request. It must not be reproduced, nor must the information it contains be divulged or used in any way be prejudicial to the interests of:*

SOMMAIRE SUMMARY

SOUS-SECTION SUB-SECTION

LOT DE PIÈCES
PART SET
BRIDE
BODY ASSY

FOURREAU
SLEEVE

MANUEL MANUAL : 809 0690
rev : 16-05-94

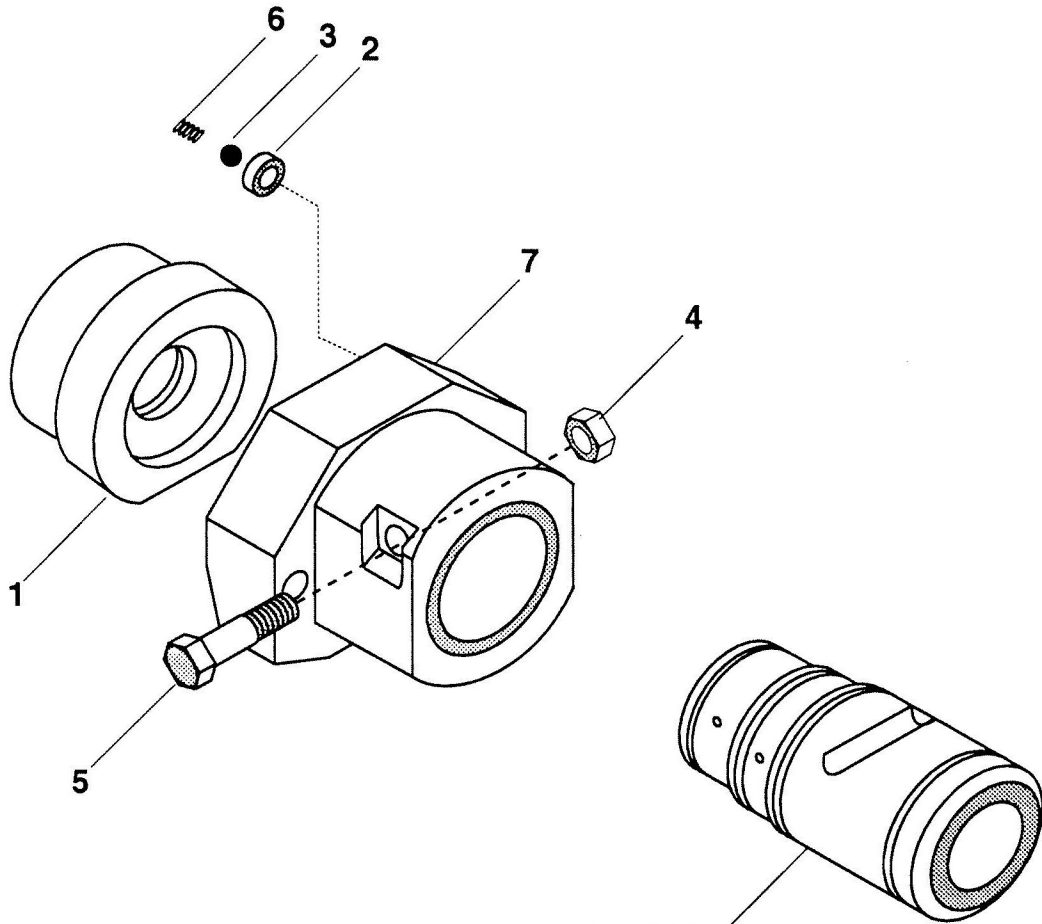


PHQGlobal
TAKING MINES TO THE NEXT LEVEL!



C2 1175 Appleby Line, Burlington Ontario Canada L7L 5H9
Phone: (905) 332-3271 Fax: (905) 332-9497 Toll: (800) 267-2082
Website: www.phqglobal.com

- Non vendu sous ce numero, voir numéro de nomenclature. *Not sold under this part number, see part break down.*
- ★ Pièce non vendue séparément, voir sous ensemble monté. *Not sold separately, see sub assembly.*
- Pièce sans numéro de code : *Part without part number :*
 Pour commander, indiquer le N°ensemble et N° repère. *To order, specify item Nb. and sub-assembly Nb.*



840 1810

FOURREAU assemblé
SLEEVE assembly



PHQGlobal
 TAKING MINES TO THE NEXT LEVEL!



C2 1175 Appleby Line, Burlington Ontario Canada L7L 5H9
 Phone: (905) 332-3271 Fax: (905) 332-9497 Toll: (800) 267-2082
 Website: www.phqglobal.com

sous-section
sub-section
2/

809 1541

LOT DE PIÈCES
PART SET

PRÉCONISATIONS
RECOMMENDED SPARES
MOIS / MONTHS

REP. ITEM	REFERENCE PART No	QTE QTY	DESIGNATION DESCRIPTION	6	12	24
1	021 2573	1	BUTÉE EMMANCHEMENT SHANK STOP RING	1	1	2
2	079 0090	1	SIEGE CLAPET CHECK VALVE SEAT	0	0	0
3	337 0510	1	BILLE BALL	0	0	0
4	369 2723	1	ECROU NUT	2	4	8
5	370 0621	1	VIS SCREW	2	4	8
6	388 2402	1	RESSORT SPRING	0	0	0
7	936 0029	1	BRIDE BODY	0	0	0

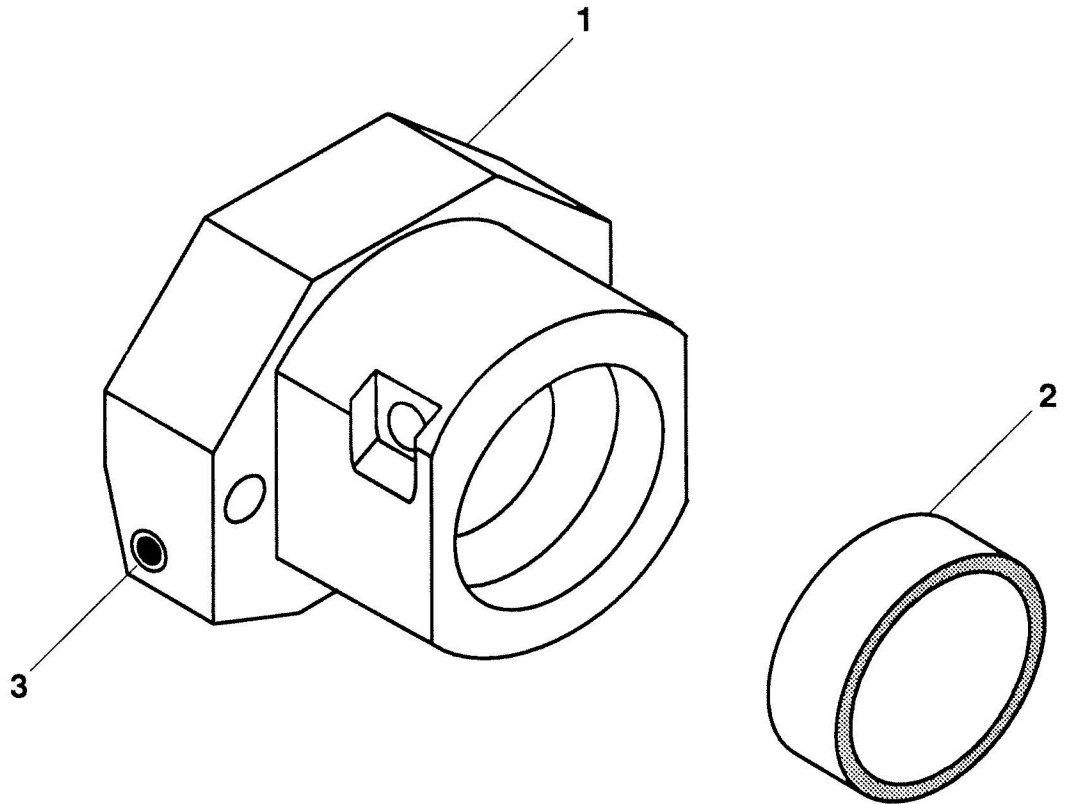


PHQGlobal
TAKING MINES TO THE NEXT LEVEL!



C2 1175 Appleby Line, Burlington Ontario Canada L7L 5H9
Phone: (905) 332-3271 Fax: (905) 332-9497 Toll: (800) 267-2082
Website: www.phqglobal.com

- Non vendu sous ce numero, voir numéro de nomenclature. *Not sold under this part number, see part break down.*
- ★ Pièce non vendue séparément, voir sous ensemble monté. *Not sold separately, see sub assembly.*
- Pièce sans numéro de code : *Part without part number:*
Pour commander, indiquer le N°ensemble et N° repère. *To order, specify item Nb. and sub-assembly Nb.*



PHQGlobal
TAKING MINES TO THE NEXT LEVEL!



C2 1175 Appleby Line, Burlington Ontario Canada L7L 5H9
Phone: (905) 332-3271 Fax: (905) 332-9497 Toll: (800) 267-2082
Website: www.phqglobal.com

sous-section sub-section	936 0029	BRIDE BODY
2/		

REP. ITEM	REFERENCE PART No	QTE QTY	DESIGNATION DESCRIPTION	PRÉCONISATIONS RECOMMENDED SPARES MOIS / MONTHS		
				6	12	24
1	036 1645	1	BRIDE BODY	0	0	0
2	140 2470	1	BAGUE RING	0	0	1
3	328 2506	2	BOUCHON A BILLE PLUG	0	0	0

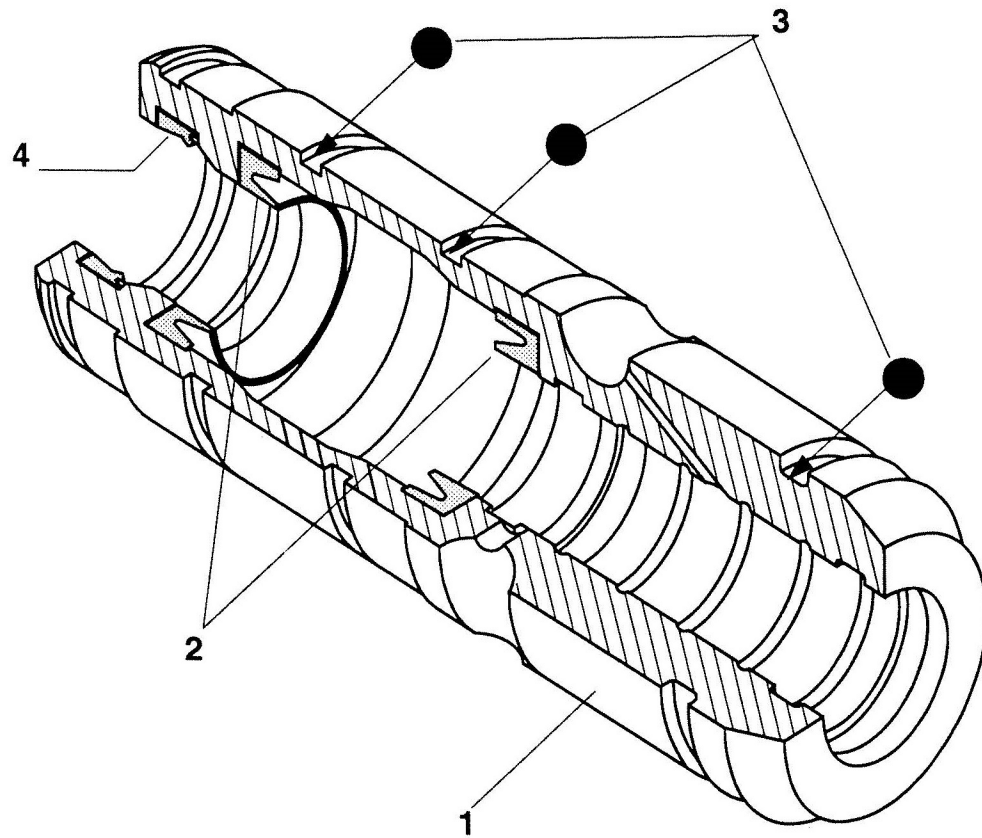


PHQGlobal
TAKING MINES TO THE NEXT LEVEL!



C2 1175 Appleby Line, Burlington Ontario Canada L7L 5H9
Phone: (905) 332-3271 Fax: (905) 332-9497 Toll: (800) 267-2082
Website: www.phqglobal.com

- Non vendu sous ce numero, voir numéro de nomenclature. *Not sold under this part number, see part break down.*
- ★ Pièce non vendue séparément, voir sous ensemble monté. *Not sold separately, see sub assembly.*
- Pièce sans numéro de code : *Part without part number:*
 Pour commander, indiquer le N°ensemble et N° repère. *To order, specify item Nb. and sub-assembly Nb.*



PHQGlobal
 TAKING MINES TO THE NEXT LEVEL!



C2 1175 Appleby Line, Burlington Ontario Canada L7L 5H9
 Phone: (905) 332-3271 Fax: (905) 332-9497 Toll: (800) 267-2082
 Website: www.phqglobal.com

sous-section sub-section	840 1810	KIT FOURREAU SLEEVE KIT
2/		

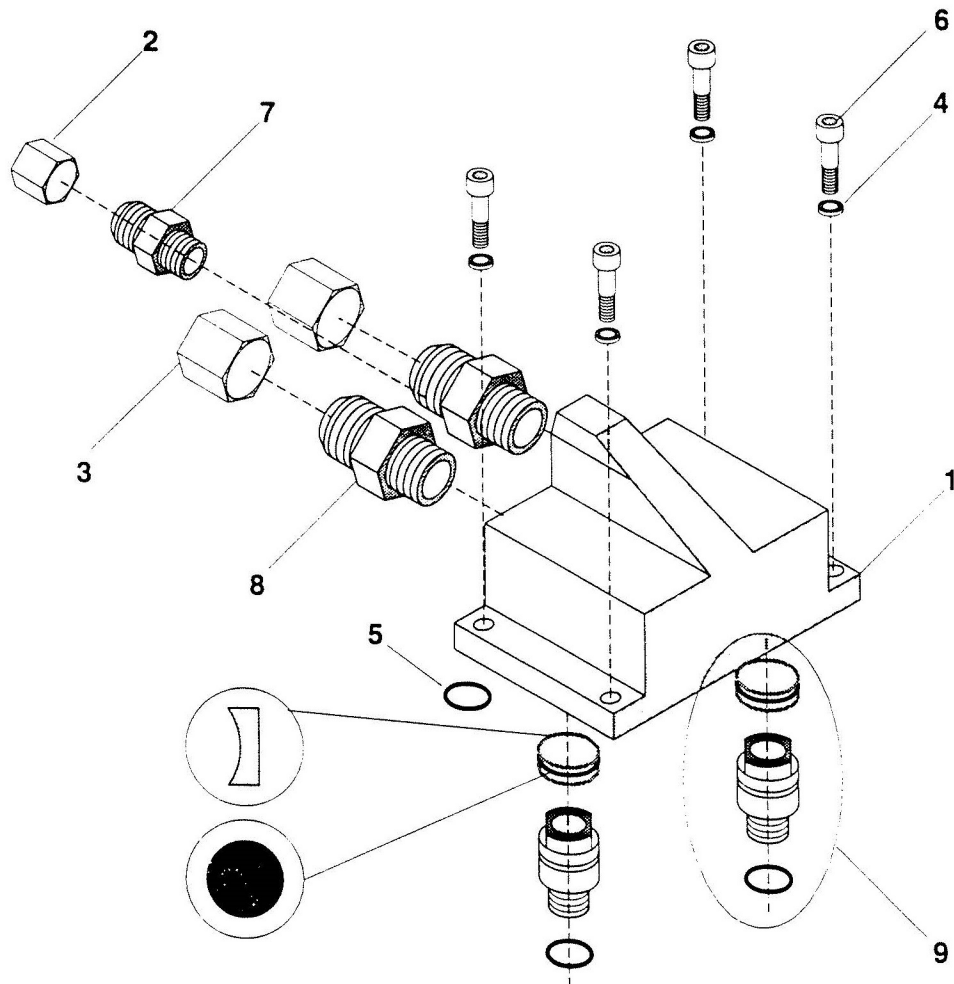
REP. ITEM	REFERENCE PART No	QTE QTY	DESIGNATION DESCRIPTION	PRÉCONISATIONS RECOMMENDED SPARES MOIS / MONTHS		
				6	12	24
1	020 0040	1	FOURREAU SLEEVE	0	1	2
2	341 0138	2	JOINT SEAL	23	46	92
3	341 5054	3	JOINT TORIQUE 'O' RING	15	30	60
4	341 8750	1	JOINT SEAL	5	10	20



PHQGlobal
TAKING MINES TO THE NEXT LEVEL!



C2 1175 Appleby Line, Burlington Ontario Canada L7L 5H9
Phone: (905) 332-3271 Fax: (905) 332-9497 Toll: (800) 267-2082
Website: www.phqglobal.com



806 4022



PHQGlobal
TAKING MINES TO THE NEXT LEVEL!



C2 1175 Appleby Line, Burlington Ontario Canada L7L 5H9
Phone: (905) 332-3271 Fax: (905) 332-9497 Toll: (800) 267-2082
Website: www.phqglobal.com

**806 4022 KIT MONTAGE GLISSIERE CC2500
CC2500 DRILL FEED PARTS SET**

REP. ITEM	REFERENCE PART Nb.	QTE. QTY.	DESIGNATION	DESCRIPTION	INFORMATION
1	036 1549	1	BRIDE ALIMENTATION	OIL SUPPLY FLANGE	
2	328 1201	1	BOUCHON	PLUG	
3	328 1202	2	BOUCHON	PLUG	
4	339 0112	4	RONDELLE	WASHER	
5	341 9312	1	JOINT TORIQUE	'O' RING	
6	370 3909	4	VIS CHC	'ALLEN' SCREW	
7	380 4113	1	ADAPTEUR	ADAPTOR	
8	380 4190	2	ADAPTEUR	ADAPTOR	
9	840 1054	2	KIT RACCORD	JONCTION KIT	



PHQGlobal
TAKING MINES TO THE NEXT LEVEL!



C2 1175 Appleby Line, Burlington Ontario Canada L7L 5H9
Phone: (905) 332-3271 Fax: (905) 332-9497 Toll: (800) 267-2082
Website: www.phqglobal.com