

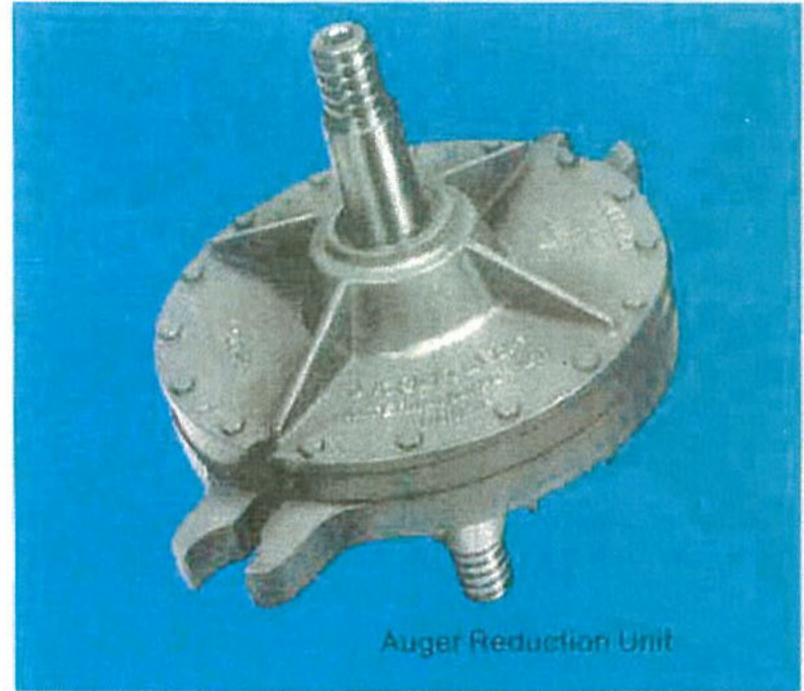


# PARTS HEADQUARTERS INC.

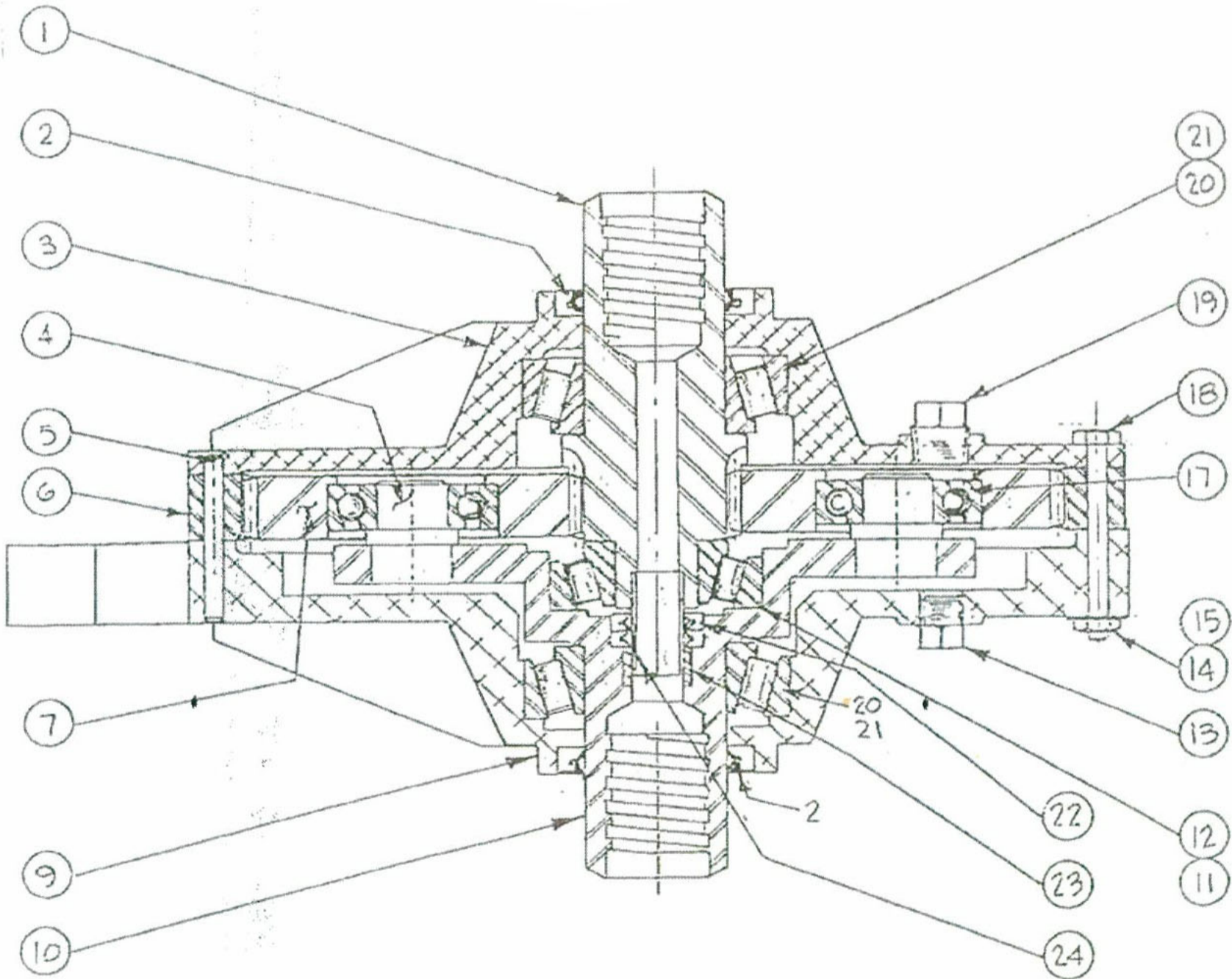
1175 APPLEBY LINE, UNIT C2, BURLINGTON, ONTARIO L7L 5H9  
TEL: 905-332-3271 FAX: 905-332-9497 TOLL FREE: 1-800-267-2082  
INTERNET: www.partshq.com

## Auger drilling

With the Auger Reduction Unit attached, the JKS Winkie is ideal for shallow drilling and quick soil exploration. The 2 $\frac{5}{8}$ " auger (with a 3" diameter carbide bit) can be used to drill to 100 ft. through difficult overburden or soft rock formations. ▶



Auger Reduction Unit



## 7820003 REDUCTION GEAR UNIT

REFERENCE NUMBERS SHOWN. ORDER BY PART NUMBERS SHOWN IN PARTS LIST.

PLATE 1254A