



PNEUMATIC ROCKDRILLS

DIAMOND DRILLS

REPLACEMENT PARTS

# PARTS HEADQUARTERS INC.

1175 Appleby Line, Unit C2, Burlington, Ontario, Canada L7L 5H9 Phone 905-332-3271 Fax 905-332-9497 Email info@partshq.com

## Joy Football-Style Lubricator

Wide throat filler hole for fast and easy top filling with either rock drill grease or rock drill oil.

Replaceable pipe bushings preserve larger threads machined in the malleable steel lubricator body, for longer life of the cast steel body.

One piece rugged malleable steel casting pressure tested to 1200 lbs./sq. inch in an independent lab.

Weighted sipper nozzle rotates around the bore pipe. The nozzle intake is always at maximum depth to empty all of the contents of the lubricator reservoir.

Straight-through bore design allows for maximum air flow with minimum air line pressure drop.

Adjusts from low flow, to medium flow, to high flow rate of lubricant with a simple twist of the nozzle.

A safety vent hole in the filler cap allows entrapped air to escape when removing the filler cap to ensure the lubricator is never opened while the reservoir chamber is pressurized.

Uses rock drill oil or grease.



**Part No. 5048912**

*JOY rugged and reliable pneumatic in-line oilers are the most popular lubricators in use in underground hard rock mining operations in North and South America.*

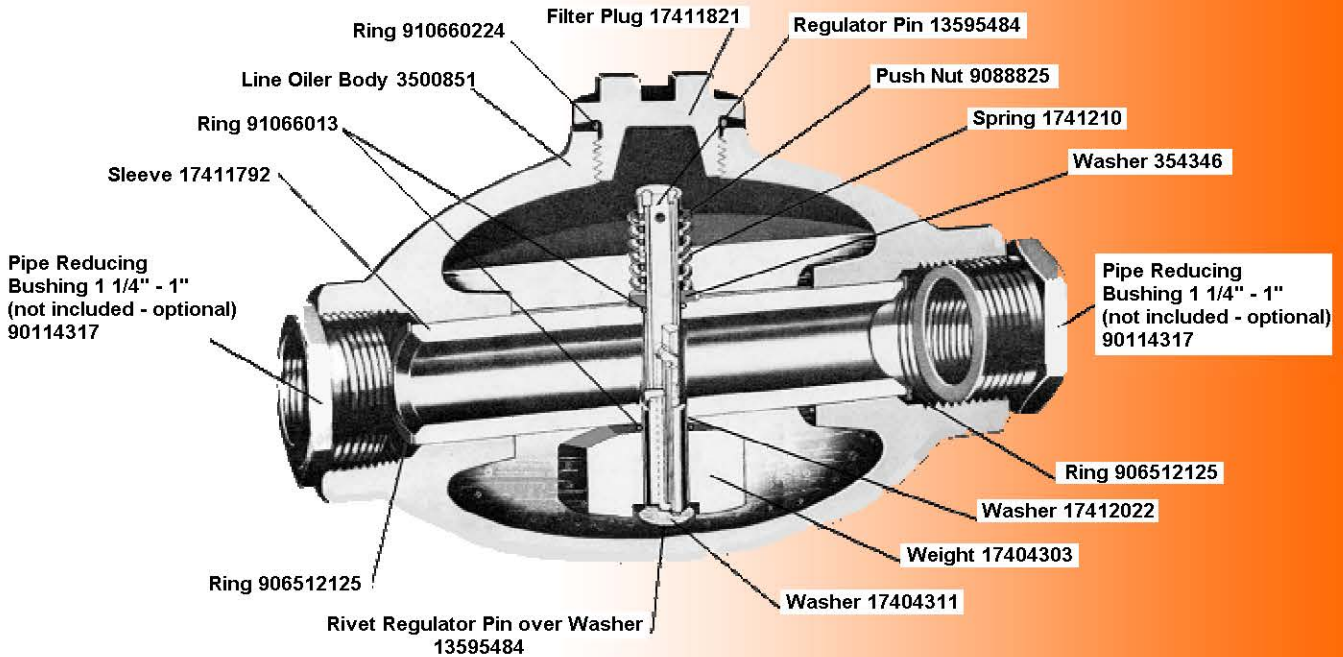


ISO 9001:2000

Certificate: 002485

[www.partshq.com](http://www.partshq.com)

# 5048912 Lubricator



## Lubricator Specifications

Max Working Pressure	250 psi.	17.6 kg/cm <sup>3</sup>
Oil Capacity	1½ pint	0.71 liter
Maximum Volume	75-450 cfm	2-12.7 m <sup>3</sup> /min
Weight	11.5 lb	5.22 kg
Pipe Thread	1¼ inch	1¼ inch
Bushing Size	1¼" X 1" 1¼" X ¾"	1¼" X 1" 1¼" X ¾"
Service	Handheld Drills	Small Hoists

### Working Pressure

Joy lubricators tested to destruction required internal pressures exceeding 1200 psi before cracks began to appear in the castings. Even at these extreme pressures the cracks which developed simply released internal pressure without exploding the lubricator body. The Joy Lubricator is a safe pressure vessel.



**PHQ Lubricators designed to use rock drill oil or rock drill grease**

**Visit the Rock Drill Doctor on PHQ's Website to learn all about rock drill lubrication**