



PNEUMATIC ROCKDRILLS

DIAMOND DRILLS

REPLACEMENT PARTS

PARTS HEADQUARTERS INC.

1175 Appleby Line, Unit C2, Burlington, Ontario, Canada L7L 5H9 Phone 905-332-3271 Fax 905-332-9497 Email info@partshq.com

Joy SAL60M Stoper

All internal parts in the PHQ250 Stoppers are also used in PHQ250 Jacklegs, Sinkers and Quarry drills.

High penetration, and strong torque.

Convenient operating controls, with push button leg retraction and adjustable motorcycle control feed

Positive lubrication with good front end blow.

Larger mating faces between major cylinder components for longer life and less wear.

Improved pusher leg with stainless steel cylinder rod to prevent corrosion and pitting.

Available with three inch stainless steel leg for increased push and penetration in hard ground.

New style steel puller for collared steel available.

Uses rock drill oil or grease.



PHQ250 Stoper

PHQ's new S250 Drills have larger mating faces between major cylinder components for reduced air leakage and longer wearing life.



ISO 9002:1994

Certificate: 002485

www.partshq.com

Features

Large mating faces on components bodies for less wear and longer life

The new Front End Bolt on End Cap with Adapter Studs makes it easier and faster to exchange drill shanks.

Shorter side rods provide increased rigidity to the assembly of the drill components preventing movement.

PHQ36-IR Specifications

CYLINDER BORE

3¹/₈ inches – 79.4mm

CYLINDER STROKE

2⁷/₈ inches – 73.25mm

AIR CONSUMPTION

170cfm @90psi – 5cu m/m @620kPa

BLOWS PER MINUTE

2250bpm @ 90psi – 2250bpm @620kPa

SHANK SIZE - Collared

7/8 inch x 4¹/₄ inch - 22mm x 108mm

DRILL LENGTH

Retracted – 61 inches – 1550 mm

Extended – 91 inches – 2311mm

DRILL WEIGHT – With Leg

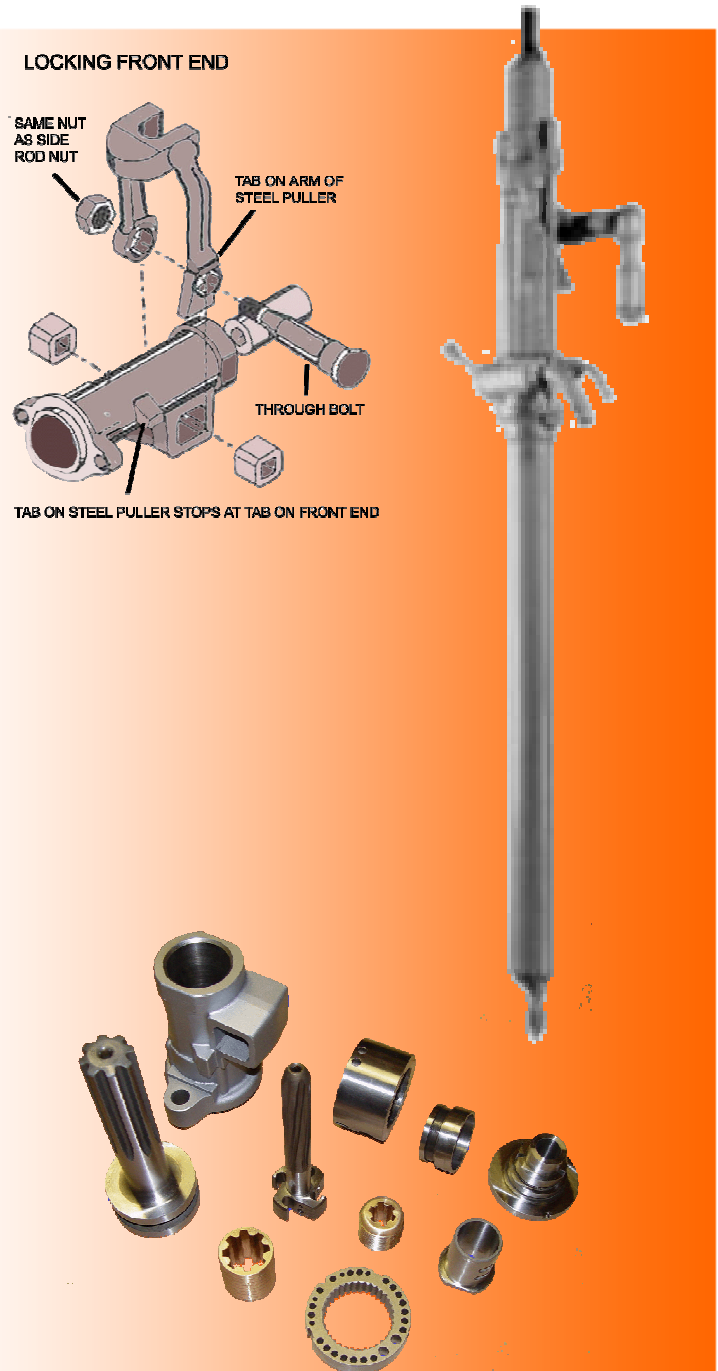
Standard Leg 2³/₄ inch 90lb – 41kg

Stainless Leg 3 inch 100lb – 45kg

PHQ250 Stoppers are available with:

- Stainless steel muffler PHQ250STM
- Standard exhaust PHQ2350STS
- Collared drill steel PHQ250STS(M)
- Tappet drill steel PHQ250STS(M)
- Collared steel with puller PHQ250S(M)

PHQ250STS Stoper Drill



PHQ carries a full range of parts for PHQ250 drills in stock.

All parts made in Canada to precise specifications using only the highest quality tool steel

www.partshq.com

2003 Parts HeadQuarters Inc. All Rights Reserved. Terms of use.

PB004.05.2003