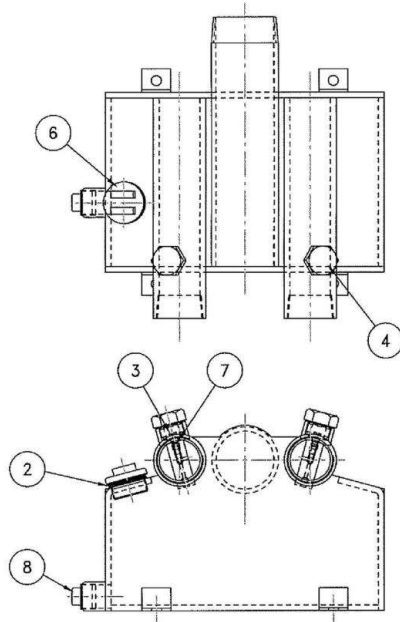


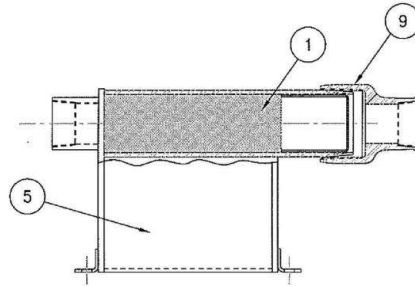
PHQ F61 Dual Feed High Capacity Lubricator

ONE AND ONE-HALF GALLON LUBRICATOR

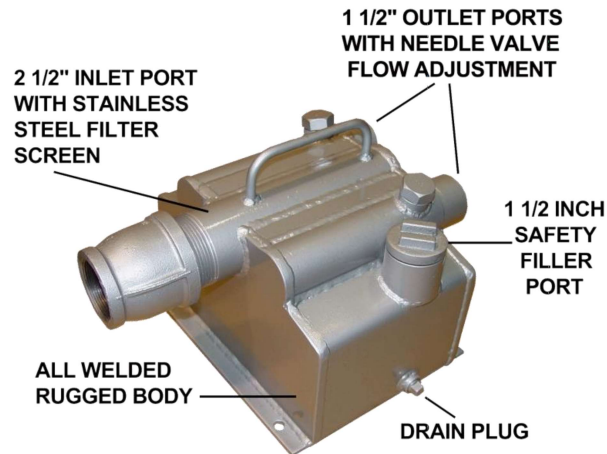
F61 LUBRICATOR ASSEMBLY COMPLETE



PART #	DESCRIPTION
① C3273	FILTER ELEMENT - 1 ONLY
② 910660224	FILLER PLUG O RING - 1 ONLY
③ D1878	ADJUSTING SCREW - 2 ONLY
④ D2104	ADJUSTING SCREW CAP - 2 ONLY
⑤ F61SF	LUBRICATOR CONTAINER - 1 ONLY
⑥ 174118211	FILLER PLUG - 1 ONLY
⑦ 164-301	'O' RING - 2 ONLY
⑧ 5200078	TAPER PLUG - 1 ONLY
⑨ F61 COUPLING	2 1/2" NPT x 2" NPT REDUCER



Features



SAFETY TIP: Always shut the air off and bleed the pressure out of the compressed air system containing the F61 Lubricator before attempting to adjust the needle valve flow settings in the F61. The needle valve can unscrew far enough to blow out of the thread holding it in and become a projectile under pressure.