



PNEUMATIC ROCKDRILLS

DIAMOND DRILLS

REPLACEMENT PARTS

PARTS HEADQUARTERS INC.

1175 Appleby Line, Unit C2, Burlington, Ontario, Canada L7L 5H8 Phone 905-332-3271 Fax 905-332-9497 Email info@partshq.com

PHQ10 Pneumatic Centralizer

- Clamping jaws available to fit 1¼" to 1½" drill steel
- Remove one cir-clip to service cylinder or change jaws.
- Centralizer controlled by one valve of Remote Control.
- Rapid opening and powerful closing of Clamping jaws.
- Rugged construction of welded steel tubing & channel.
- Centralizer slides on shell to meet length requirements.
- Guide shell clamp modifies to fit most shells.
- Optional threaded stinger point available.
- Height adjusts to most makes of feed shells.

Eliminate the back breaking work of handling drill rods.

Safely lift and lower extension drill rods



PHQ-10 Centralizers

- PHQ10.....PHQ36IR Drills
- PHQ10S.....Seco S36IR Drills
- PHQ10AC..Copco BBC120 Drills
- PHQ10GD...Denver PR123 Drills



ISO 9001:2000

Certificate: 002485
SIC 5082

www.partshq.com

PHQ10 Pneumatic Centralizer

Features

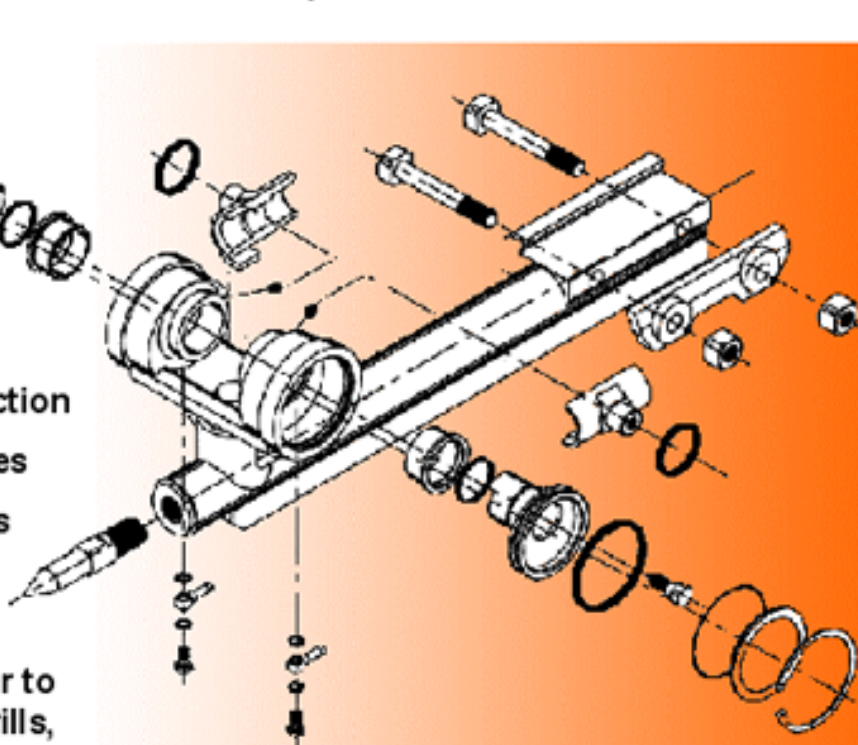
Body of welded steel construction

Safer design cylinder end plates

Standard thread bolts and nuts

Interior parts fit Copco BSP10

Modular design allows for the modification of PHQ centralizer to fit all makes of heavy drifter drills, guide shells & feed assemblies in use in underground mining today.



Centralizer Specifications

Mass Copco	135 lb	61 kg
Weight Seco	131 lb	59 kg
Length Copco	40 inches	1016 mm
Length Seco	35 inches	889 mm
Height	12 inches	304 mm
Operating Pressure	100psi	20kPa
Air Hose Copco	¼ inch	6.5 mm
Air Hose Seco	⅜ inch	9.5 mm
Gripping Force	3000 Pound-force	13345 newtons

PHQ10 Centralizers are lubricated by air misted oil delivered by the in-line lubricator. Use good quality rock drill oil or grease.

PHQ Centralizers are designed to hold 100 ft of 1¼ round drill rods.

Single lever action at Remote Panel controls lifting and lowering of rods.

Jaws grip the rod or the coupling while rotation spins threaded rod.

